

Operating Instructions

Maintenance Guide 1

-
- 1 Getting Started
 - 2 Replacing Consumables and Maintenance Kit
 - 3 Cleaning and Adjusting the Printer
 - 4 Appendix

For safety, please read this manual carefully before you use this product and keep it handy for future reference.

Introduction

This manual contains detailed instructions on the operation and maintenance of this machine. To get maximum versatility from this machine all operators should carefully read and follow the instructions in this manual. Please keep this manual in a handy place near the machine.

Please read "Safety Information" in this manual before using this machine. It contains important information related to USER SAFETY and PREVENTING EQUIPMENT PROBLEMS.

Power Source

120 V, 60 Hz, 11 A or more

Please be sure to connect the power cable to a power source as above.

Laser Safety

This machine is considered a CDRH class I laser device, safe for office/EDP use. The machine contains 7 milliwatt, 645 - 660 nanometer wavelength, AlGaInP Laser Diode. Direct (or indirect reflected) eye contact with the laser beam might cause serious eye damage. Safety precautions and interlock mechanisms have been designed to prevent any possible laser beam exposure to the operator.

Important

Contents of this manual are subject to change without prior notice. In no event will the company be liable for direct, indirect, special, incidental, or consequential damages as a result of handling or operating the machine.

Caution:

Use of controls or adjustment or performance of procedures other than those specified in this manual might result in hazardous radiation exposure.

Do not attempt any maintenance or troubleshooting other than that mentioned in this manual. This printer contains a laser beam generator and direct exposure to laser beams can cause permanent eye damage.

Two kinds of size notation are employed in this manual. With this machine refer to the inch version.

For good print quality, the supplier recommends that you use genuine toner from the supplier.

The supplier shall not be responsible for any damage or expense that might result from the use of parts other than genuine parts from the supplier with your office products.

TABLE OF CONTENTS

Trademarks	1
Safety Information	2
Safety During Operation.....	2
ENERGY STAR Program	6
How to Read This Manual	7

1. Getting Started

Features of this Printer	9
Guide to the Printer	10
Exterior: Front View.....	10
Exterior: Rear View	11
Inside.....	12
Control Panel	13

2. Replacing Consumables and Maintenance Kit

Toner Cartridge	15
Waste Toner Bottle 1 Type 5000	18
Waste Toner Bottle 2 Type 5000	20
Fuser Oil Type 5000	22
Development Unit Type 5000 Black/Color	28
Printing the Test Page.....	31
Fusing Unit Type 5000/Friction Pad/Paper Feed Roller	34
Replacing the friction pad and the paper feed roller (for Tray 1).....	35
Replacing the Fusing Unit	37
Printer Maintenance Kit Type 3800H (paper feed rollers for the optional Paper Feed Unit)	42
Photo Conductor Unit Type 5000/Dustproof Filters	44
Replacing the dustproof filters.....	45
Replacing the Photoconductor Unit.....	46

3. Cleaning and Adjusting the Printer

Cautions to Take When Cleaning	53
Cleaning the Paper Feed Roller and the Friction Pad	54
Cleaning the Paper Feed Roller (for Tray 1) and the Friction Pad	54
Cleaning the Paper Feed Rollers (for the Optional Paper Feed Unit)	55
Cleaning the Registration Roller and the Guide Boards	57
Cleaning the Dustproof Glass	59
Adjusting the Image Density	60
Adjusting the Tray Registration	61
Cleaning and Adjusting the Internal Devices	63

4. Appendix

Consumables	65
Moving and Transporting the Printer	68
Moving the Printer	69
INDEX	72

Trademarks

Microsoft, Windows and Windows NT are registered trademarks of Microsoft Corporation in the United States and/or other countries.

IPS-PRINT Printer Language Emulation Copyright© 1999-2000 Oak Technology, Inc., All rights reserved.

Other product names used herein are for identification purposes only and might be trademarks of their respective companies. We disclaim any and all rights in those marks.

The proper names of the Windows operating systems are as follows:

- Microsoft® Windows® 95 operating system
- Microsoft® Windows® 98 operating system
- Microsoft® Windows® Millennium Edition (Windows Me)
- Microsoft® Windows® 2000 Professional
- Microsoft® Windows® 2000 Server
- Microsoft® Windows® XP Professional
- Microsoft® Windows® XP Home Edition
- Microsoft® Windows NT® Server operating system Version 4.0
- Microsoft® Windows NT® Workstation operating system Version 4.0

Notes:


Some illustrations in this manual might be slightly different from the machine. Certain options might not be available in some countries. For details, please contact your local dealer.


Safety Information

When using your printer, the following safety precautions should always be followed.

Safety During Operation

In this manual, the following important symbols are used:

 **WARNING:**
Indicates a potentially hazardous situation which, if instructions are not followed, could result in death or serious injury.

 **CAUTION:**
Indicates a potentially hazardous situation which, if instructions are not followed, may result in minor or moderate injury or damage to property.

⚠ WARNING:

- ***It is dangerous to handle the plug with wet hands. Doing this may result in receiving an electric shock.***
- ***Connect the power cord directly into a wall outlet and never use an extension cord.***
- ***Disconnect the power plug (by pulling the plug, not the cable) if the power cable or plug becomes frayed or otherwise damaged.***
- ***Confirm that the wall outlet is near the machine and freely accessible, so that in event of an emergency, it can be unplugged easily.***
- ***Only connect the machine to the power source described in the manual.***
- ***Avoid multi-wiring.***
- ***Do not damage, break or make any modifications to the power cord. Do not place heavy objects on it, pull it hard or bend it more than necessary. These actions could cause an electric shock or fire.***
- ***To avoid hazardous electric shock or laser radiation exposure, do not remove any covers or screws other than those specified in this manual.***
- ***Turn off the power and disconnect the power plug (by pulling the plug, not the cable) if any of the following conditions exists:***
 - ***You spill something into the equipment.***
 - ***You suspect that your equipment needs service or repair.***
 - ***Your equipment's cover has been damaged.***
- ***Do not incinerate spilled toner or used toner. Toner dust might ignite when exposed to an open flame.***
- ***Disposal should take place at our authorized dealer or at appropriate collection sites.***
- ***Dispose of the used toner cartridge in accordance with the local regulation.***
- ***Do not take apart or attempt any modifications to this machine. There is a risk of fire, electric shock, explosion or loss of sight. If the machine has laser systems, there is a risk of serious eye damage.***
- ***Do not place the IC2 lithium battery near or into fire, or it will explode and cause a burn.***
- ***The User Account Enhance Unit installed on the controller board has a IC2 lithium battery which can explode if replaced incorrectly. Replace the User Account Enhance Unit only with the indicated one.***

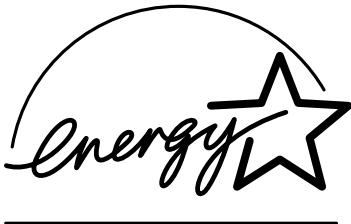
⚠ CAUTION:

- *Do not eat or swallow toner.*
- *Keep toner (used or unused) and toner cartridges out of reach of children.*
- *Protect the equipment from dampness or wet weather, such as rain, snow, and so on.*
- *Unplug the power cord from the wall outlet before you move the equipment. While moving the equipment, you should take care that the power cord will not be damaged under the equipment.*
- *When you disconnect the power plug from the wall outlet, always pull the plug (not the cable).*
- *Do not allow paper clips, staples, or other small metallic objects to fall inside the equipment.*
- *For environmental reasons, do not dispose of the equipment or expended supply waste at household waste collection points. Disposal can take place at an authorized dealer or at appropriate collection sites.*
- *The inside of the machine becomes very hot. Do not touch the parts with a label indicating "⚠" (means hot surface). Touching "⚠" (means hot surface) could result in a burn.*
- *The inside of the machine becomes very hot. Do not touch the inner surface with "⚠" and "⚠" labels indicating a hot surface. Touching that surface could result in a burn.*
- *Our products are engineered to meet high standards of quality and functionality, and we recommend that you only use the expendable supplies available at an authorized dealer.*
- *The fusing unit becomes very hot. When installing the new fusing unit, turn off the printer and wait about 30 minutes. After that, install the new fusing unit. Not waiting for the unit to cool down can result in a burn.*
- *Do not pull out the fusing unit forcefully. It may cause the unit to fall and result in an injury.*
- *When touching the fusing unit, do not touch any areas other than the handle as it may cause a burn.*
- *Do not incinerate the oil bottle. This could cause a fire or an injury.*
- *Spilt oil is very slippery. If oil is spilt, wipe it up with an alkaline cleaner. Otherwise, the oily surface can create the danger of slipping and an injury.*
- *Do not open the front cover when the paper tray is pulled out halfway. If you do, it might cause an injury.*
- *Do not put an object on the left cover when it is open.*
- *When replacing the photoconductor unit, hold the handles in beige and green, and then lift it slowly. Lifting it in an inappropriate manner or handling it carelessly may cause the unit to drop and result in an injury.*

⚠ CAUTION:

- *Do not put an object on the front cover when it is open.*
- *When removing misfed paper, do not touch the fusing unit because it could be very hot.*
- *To prevent an injury, this printer should be lifted by at least two people.*
- *When moving the machine, each person should hold the handles that are located on opposite sides, and then lift it slowly. Lifting it carelessly or dropping it may cause an injury.*
- *Before installing options, the machine should be turned off and unplugged for at least an hour. Components inside the machine become very hot, and can cause a burn if touched.*
- *When moving the Paper Feed Unit, hold the handles that are located on the top of the unit, and then lift it slowly. Lifting it carelessly or dropping it may cause an injury.*
- *When installing the Duplex Unit, do not release the unit until it is fastened firmly in place. It may cause the unit to fall and result in an injury.*
- *When installing the Finisher, be sure to hold the sides of them. If you hold the bottom, your hands may get caught and injured.*
- *When moving the Finisher, hold the center of both sides, and then lift it slowly. Lifting it carelessly or dropping it may cause an injury.*
- *When installing the 4-bin Mailbox, be sure to hold the sides of them. If you hold the bottom, your hands may get caught and injured.*
- *When moving the 4-bin Mailbox, hold the center of both sides, and then lift it slowly. Lifting it carelessly or dropping it may cause an injury.*
- *Do not touch the inside of the controller board compartment. It may cause a machine malfunction or a burn.*
- *Keep the machine away from humidity and dust. A fire or an electric shock might occur.*
- *Place the machine on a strong and level surface. Otherwise, the machine might fall and result in an injury.*
- *If you use the machine in a confined space, confirm that there is a continuous flow of air.*
- *The paper tray does not have a stopper. When pulling it out, be careful not to pull it strongly. If you do, the tray might fall and cause an injury.*

ENERGY STAR Program

<p>ENERGY STAR®</p> 	<p>As an ENERGY STAR Partner, we have determined that this machine model meets the ENERGY STAR Guidelines for energy efficiency.</p>
---	--

The ENERGY STAR Guidelines intend to establish an international energy-saving system for developing and introducing energy-efficient office equipment to deal with environmental issues, such as global warming.

When a product meets the ENERGY STAR Guidelines for energy efficiency, the Partner shall place the ENERGY STAR logo onto the machine model.

This product was designed to reduce the environmental impact associated with office equipment by means of energy-saving features, such as Low-power mode.

❖ Low-power Mode (Energy Saver mode)

This printer automatically lowers its power consumption 30 minutes after the last operation has been completed. To exit Low-power (Energy Saver) mode, press any key on the control panel. For more information about how to configure Energy Saver mode, see *"Using the Control Panel"* in the Administrator Reference on the CD-ROM labeled "Operating Instructions".

❖ Specifications

Energy Saver mode	Power Consumption	35 W or less
	Default Time	30 minutes
	Recovery Time	99 seconds or less

How to Read This Manual

Symbols

In this manual, the following symbols are used:

 **WARNING:**

This symbol indicates a potentially hazardous situation which, if instructions are not followed, could result in death or serious injury.

 **CAUTION:**

This symbol indicates a potentially hazardous situation which, if instructions are not followed, may result in minor or moderate injury or damage to property.

* The statements above are notes for your safety.

 **Important**

If this instruction is not followed, paper might be misfed or data might be lost. Be sure to read this.

 **Preparation**

This symbol indicates the prior knowledge or preparations required before operating.

 **Note**

This symbol indicates precautions for operation, or actions to take after misoperation.

 **Limitation**

This symbol indicates numerical limits, functions that cannot be used together, or conditions in which a particular function cannot be used.

 **Reference**

This symbol indicates a reference.

[]

Keys that appear on the machine's panel display.

Keys and buttons that appear on the computer's display.

[]

Keys built into the machine's control panel.

Keys on the computer's keyboard.

1. Getting Started

Features of this Printer

❖ High Image Quality Best for Photo Print

With the machine's 1,800 × 600 dpi equivalent high resolution, 256 color gradation or 16,700,000 full color CMYK printing is possible. The machine is great for printing not only general documents or illustrations but also documents containing digital camera images. Presentation documents, brochures or fliers can be made more dramatic with full color printing. Also, RPCS, PCL 5c and Adobe PostScript 3 printer languages are supported for a variety of color print situations.

❖ High Performance with Fast Printing Speed

The machine prints in full color at 10 ppm (pages per minute) and in monochrome at 36 ppm, which is faster than major monochrome printers. The printing speed for the black and white part of a document with color and black and white, which is most commonly printed in offices, is also 36 ppm. The fast printing speed enables you to save time.

❖ Space-Saving Desktop Finisher ^{*1} Supported

The Finisher ^{*1} is equipped with useful functions such as electronic collation and stapling. When used with the Duplex Unit ^{*1}, a variety of output functions are available. The Finisher is compact enough to be mounted on top of the printer, saving space in the room.

^{*1} Option

❖ Versatile Functions of the New Generation Controller

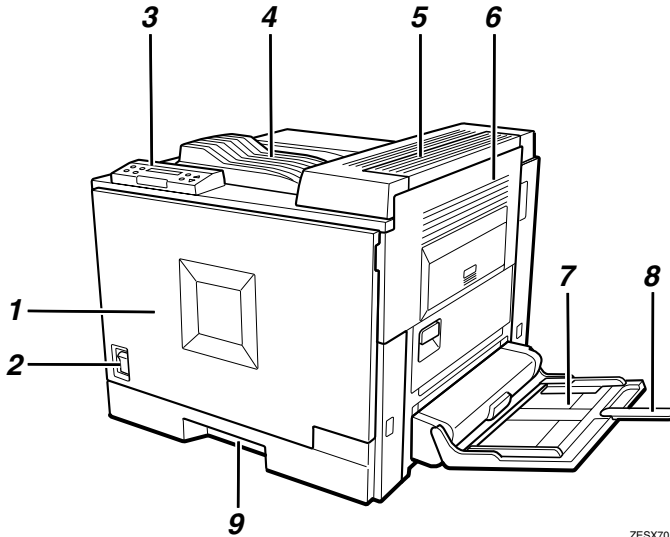
The high-speed 64-bit controller architecture and the RPCS command system that has been optimized for Windows software have made high-speed printing possible. The locked print function ^{*1} requires the user to enter a password to print a document. Also, the number of pages being printed can be monitored by each user ^{*1}. All these functions are provided to improve work efficiency and support the office/network administrators.

^{*1} Option

Guide to the Printer

1

Exterior: Front View



ZESX701J

1. Front Cover

Open this cover when replacing the toner, photoconductor unit, fusing unit, charger, or waste toner bottle or when removing misfed paper.

2. Power Switch

Use this switch to turn the power on and off.

3. Control Panel

Contains keys for printer control and a panel display that shows the printer status.

⇒ p.13 "Control Panel"

4. Output Tray

Output is stacked here with the print side down.

5. Upper Right Cover

Open this cover when installing the Interchange Unit.

6. Right Cover

Open this cover when removing the misfed paper or installing options.

7. Bypass Tray

Use to print on thick paper, OHP transparencies, custom size paper, as well as plain paper. Up to 100 sheets of plain paper can be loaded.

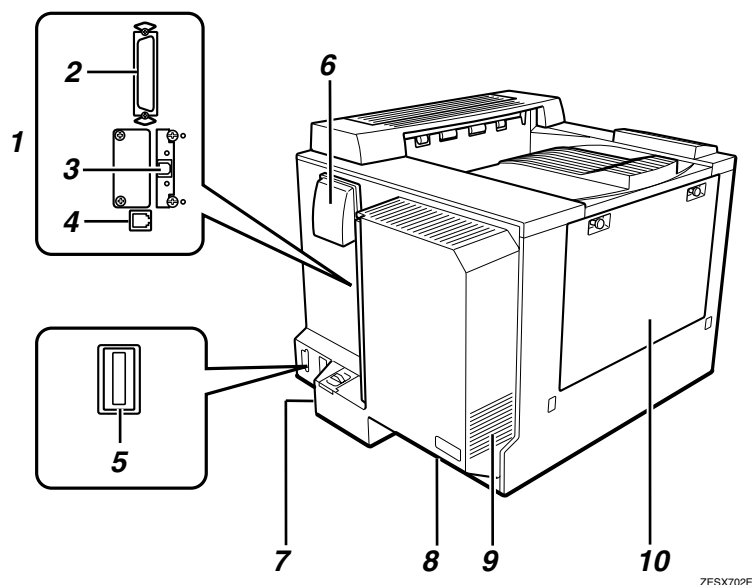
8. Bypass Tray Extension

Pull out this extension to load paper longer than A4/letter in the Bypass Tray.

9. Tray 1

Up to 250 sheets of plain paper can be loaded.

Exterior: Rear View



1. Controller Board

Slide this out when installing the options such as a Memory Unit, 1394 Interface Unit or User Account Enhance Unit.

2. Parallel Port

Use a parallel cable to connect the printer to the host computer.

3. USB Port

Use a USB cable to connect the printer to the host computer.

Remove USB2.0 Interface Board when you install optional 1394 Interface Unit or 802.11b Interface Unit.

4. Ethernet Port

Use a network interface cable to connect the printer to the network.

5. Interchange Unit Port

Use the Interchange Unit cable to connect the printer to the Interchange Unit.

6. Ventilator and Dustproof Filter (A)

The ventilator helps to keep the components inside the printer from overheating. Do not block the ventilator as it may cause a printer malfunction due to overheating. A dustproof filter is set inside.

7. Ventilator and Dustproof Filter (B)/Ozoneproof Filter

The ventilator helps to keep the components inside the printer from overheating. Do not block the ventilator as it may cause a printer malfunction due to overheating. A dustproof filter and an ozoneproof filter are set in a cartridge inside.

8. Power Port

Connect the power cable to this port and the other cable end to the wall outlet.

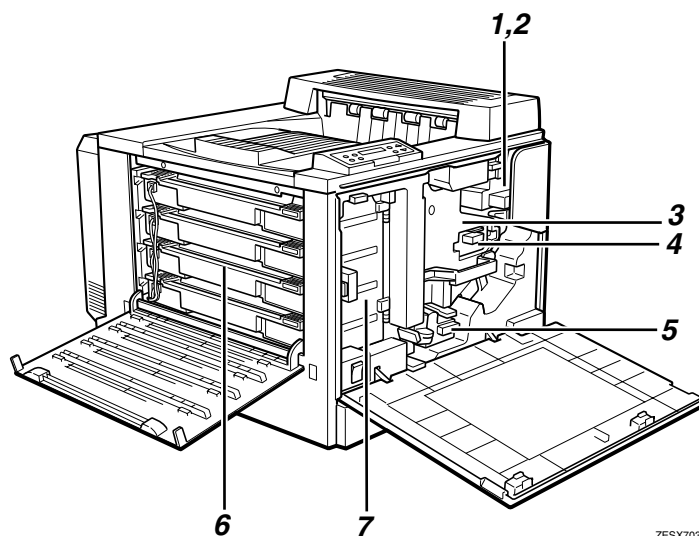
9. Ventilator

The ventilator helps to keep the components inside the printer from overheating. Do not block the ventilator as it may cause a printer malfunction due to overheating.

10. Left Cover

Open this cover when replacing the development unit.

Inside



ZESX703E

1. Fusing Unit

Fuses the image on paper.

When "Replace Fusing Unit" appears on the panel display, replace this unit.

2. Fuser Oil Unit

Attach to the fusing unit.

When "Replace Fuser Oil Unit" appears on the panel display, replace this unit.

3. Photoconductor Unit

Includes a photoconductor belt that produces images. When "Replace PCU" appears on the panel display, replace this unit.

4. Waste Toner Bottle 2

Collects wasted toner.

When "Waste Toner 2 is almost full" or "Replace Waste Toner Bottle 2" appears on the panel display, replace the waste toner bottle 2 with a new one.

5. Waste Toner Bottle 1

Collects wasted toner.

When "Waste Toner 1 is almost full" or "Replace Waste Toner Bottle 1" appears on the panel display, replace the waste toner bottle 1 with a new one.

6. Development Unit

From the top, set the development unit in the order of black, yellow, cyan and magenta.

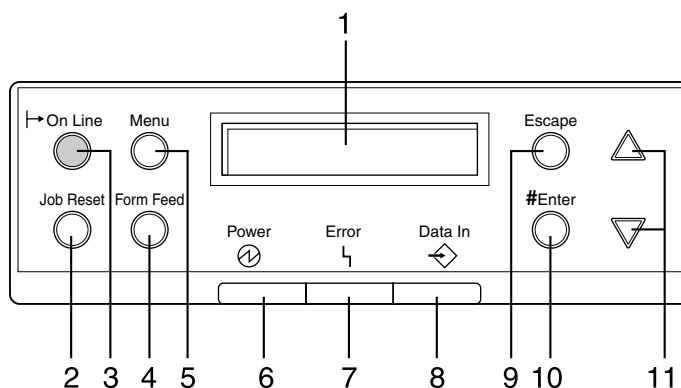
When "Replace (color) development unit" appears on the panel display, replace the color of the unit.

7. Toner Cartridge

From the top, set the toner cartridge in the order of black, yellow, cyan and magenta.

When "Add Toner (color)" appears on the panel display, replace the color of the toner cartridge.

Control Panel



1. Panel Display

Shows the current status of the printer and error messages.

2. [Job Reset] Key

When the printer is online, press this key to cancel any ongoing print job.

3. [On Line] Key

Indicates whether the printer is online or offline.

Press this key to switch between online and offline.

When the lamp is lit, the printer is online, enabling data reception from the host computer.

When the lamp is off, the printer is offline, disabling data reception from the host computer.

Press this key to return to the ready condition.

4. [Form Feed] Key

When the printer is offline, press this key to print all the data left in the printer's input buffer.

You can use this to force the printer to print the data received in the online status when the paper size or type does not match with the actual set size or type.

5. [Menu] Key

Press this key to make and check the current printer settings.

6. Power Indicator

Power indicator is on while the power switch is on. Power indicator is off when the power is turned off or while the printer is in Energy Saver mode.

7. Error Indicator

Lights when a printer error occurs. Goes off when the printer goes in Energy Saver mode.

8. Data In Indicator

Blinks while the printer is receiving data from a computer. Stays on when there is data to be printed.

9. [Escape] Key

Press this key to return to the previous condition on the panel display.

10. [Enter #] Key

Press this key to execute menu items selected on the panel display.

11. [▲][▼] Keys

Use these keys to increase or decrease values on the panel display when making settings. Keep pressing the key to quicken scrolling, and increase or decrease values on the panel display in units of 10.

2. Replacing Consumables and Maintenance Kit

Toner Cartridge

⚠ WARNING:

- **Do not incinerate spilled toner or used toner. Toner dust is flammable and might ignite when exposed to an open flame. Disposal should take place at an authorized dealer or an appropriate collection site. If you dispose of the used toner cartridges yourself, dispose of them according to local regulations.**

⚠ CAUTION:

- **Keep toner (used or unused) and the toner cartridge out of reach of children.**

Replace the toner cartridge of the indicated color when the following message appears on the panel display.

Add Toner
XXXX/XXXX

OR

Toner is Almost
Empty :XXXX

📌 Note

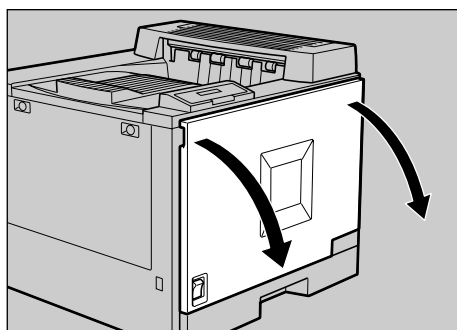
- ❑ The color is displayed for XXXX.
- ❑ If cyan, magenta or yellow toner runs out, you can print in black and white using the black toner. Change the color mode setting to "Black and White" with the printer driver.

- ❑ If black toner runs out, printing is not possible until the black toner cartridge is replaced.

🔍 Reference

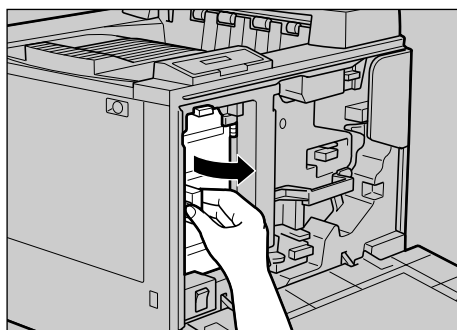
For information about printable number of pages, see p.65 "Consumables".

- 1 Open the front cover slowly by pulling down from the two areas on the left and right.



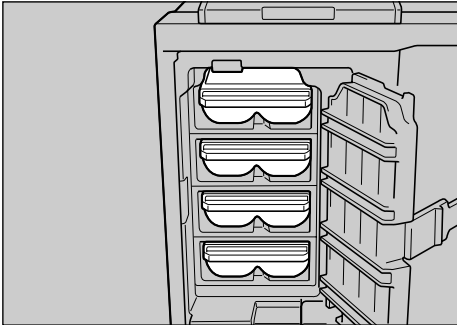
ZEST006J

- 2 Open the green toner cartridge cover by pinching the lever and then pulling the handle.



ZEST999J

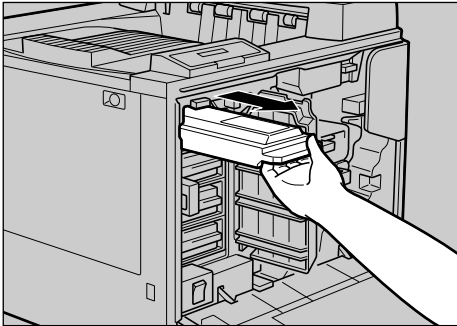
From the top, the toner cartridges are installed in the order of black, yellow, cyan, and magenta.



ZEST413J

2

3 Remove the toner cartridge for the color you want to replace.



ZEST201J

You can remove all four cartridges in the same way.

Important

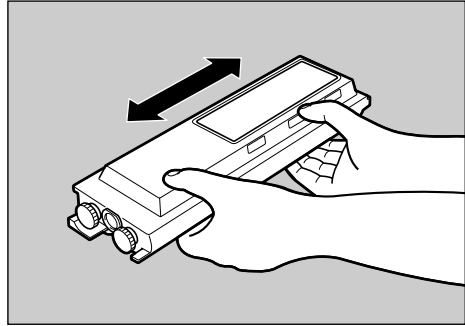
- Do not shake the removed toner cartridge. The remaining toner might scatter.

4 Take out a new toner cartridge from the box.

Note

- The black toner cartridge contains more than the other toner cartridges.

5 Shake the toner cartridge back and forth 10-12 times.



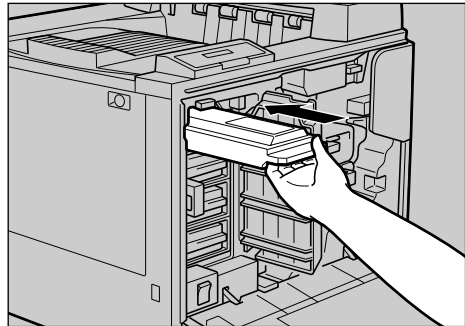
ZEST203J

Important

- Do not touch the metal contact point with your fingers.

6 Insert the new toner cartridge horizontally, and then slowly push it in until it stops.

You can install all four cartridges in the same way.

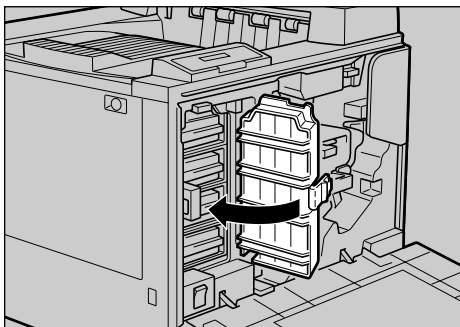
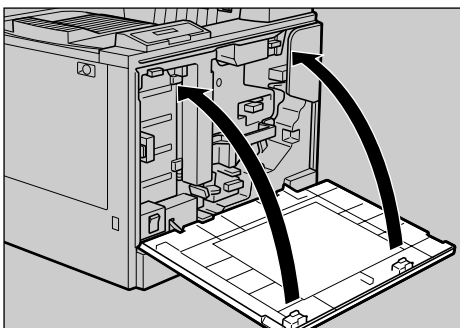


ZEST004J

Important

- Do not install and remove the toner cartridges over and over. This could result in a toner leak.

7 Put the old toner cartridge that you removed in step **3** into the box the new toner cartridge came in.

8 Close the toner cartridge cover.**9** Close the front cover slowly by pushing the two areas on the left and right.

The following message appears on the panel display. Please wait for a while.

Loading Toner...

Important

- Do not turn off the power switch when "Loading Toner..." appears on the panel display to avoid a printer malfunction.

Waste Toner Bottle 1 Type 5000

2

⚠ WARNING:

- *Do not incinerate spilled toner or used toner. Toner dust is flammable and might ignite when exposed to an open flame. Disposal should take place at an authorized dealer or an appropriate collection site. If you dispose of the used toner containers yourself, dispose of them according to local regulations.*

⚠ CAUTION:

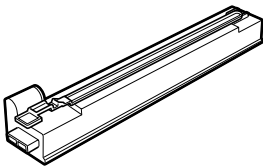
- *Keep toner (used or unused) and the toner cartridge out of reach of children.*

Replace waste toner bottle 1 when the following message appears on the panel display.

Replace Waste
Toner Bottle 1

Check the contents of the box for the following items:

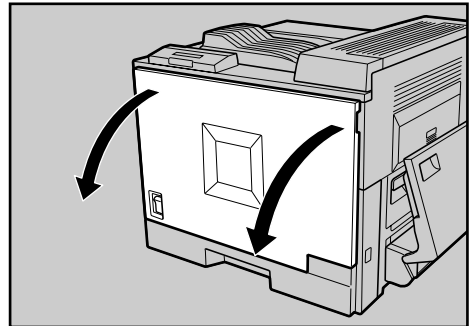
❖ **Waste Toner Bottle 1**



❖ **Maintenance Guide**

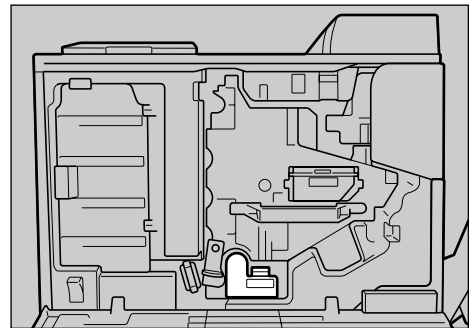
1 Turn off the printer power.

2 Open the front cover slowly by pulling down from the two areas on the left and right.



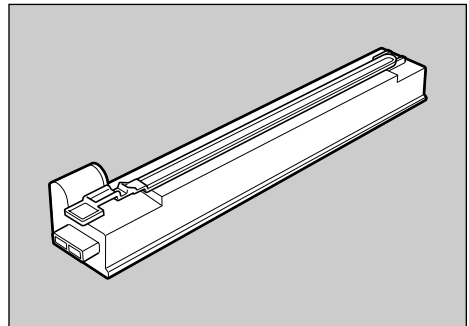
ZESH400J

Waste toner bottle 1 is installed as shown in the illustration.



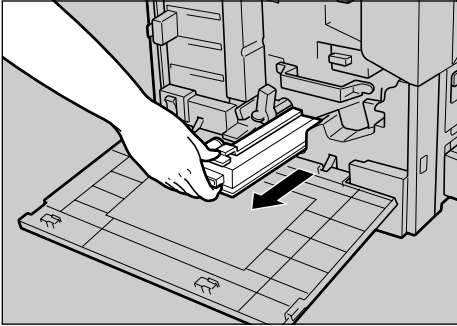
ZESH501J

3 Take out the new waste toner bottle 1 from the bag.



ZESHA432J

- 4** Remove the used waste toner bottle 1 slowly by pinching the lever and then pulling the handle.



ZESH433J

Important

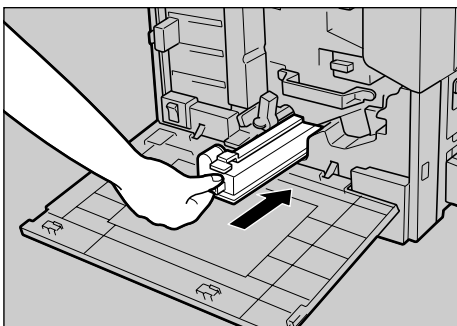
- Be sure to remove the waste toner bottle in a level manner.

- 5** Put the used waste toner bottle 1 into the bag that the new waste toner bottle came in, and then seal the bag.

Important

- Be sure to handle the bottle carefully so that the toner does not spill.

- 6** Insert the new waste toner bottle 1 in the position as shown in the illustration.



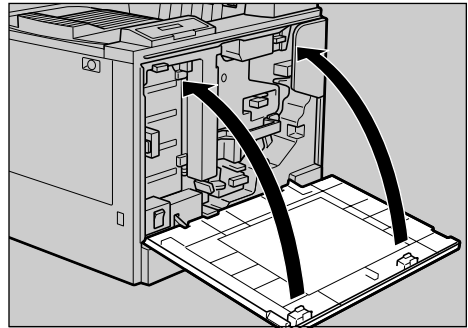
ZESH434J

- 7** Push it in until it stops.

Important

- Be sure to insert the waste toner bottle 1 firmly to avoid the toner from leaking inside the printer.

- 8** Close the front cover slowly by pushing the two areas on the left and right.



ZESH042J

- 9** Turn on the power switch.

Waste Toner Bottle 2 Type 5000

2

⚠ WARNING:

- *Do not incinerate spilled toner or used toner. Toner dust is flammable and might ignite when exposed to an open flame. Disposal should take place at an authorized dealer or an appropriate collection site. If you dispose of the used toner containers yourself, dispose of them according to local regulations.*

⚠ CAUTION:

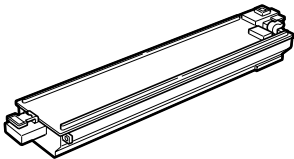
- *Keep toner (used or unused) and the toner cartridge out of reach of children.*

Replace waste toner bottle 2 when the following message appears on the panel display.

Replace Waste
Toner Bottle 2

Check the contents of the box for the following items:

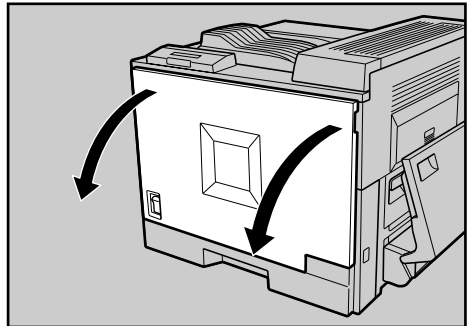
❖ **Waste Toner Bottle 2**



❖ **Maintenance Guide**

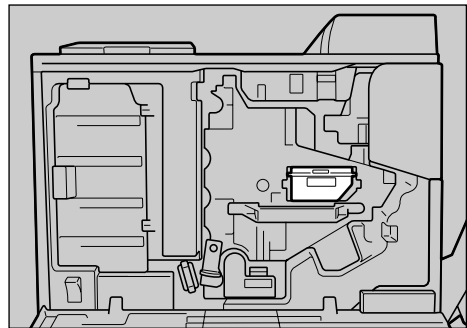
1 Turn off the printer power.

2 Open the front cover slowly by pulling down from the two areas on the left and right.



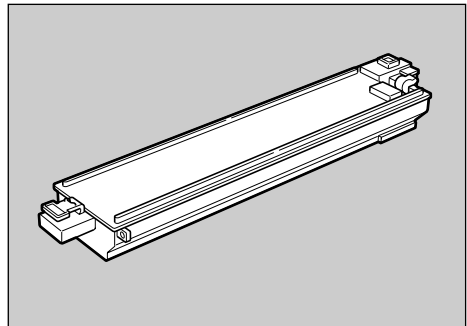
ZESH400J

Waste toner bottle 2 is installed as shown in the illustration.



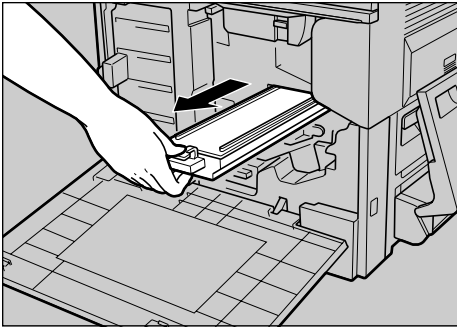
ZESH228J

3 Take out the new waste toner bottle 2 from the bag.



ZESH802J

- 4** Remove the used waste toner bottle 2 slowly by pinching the lever and then pulling the handle.



ZESH229J

Important

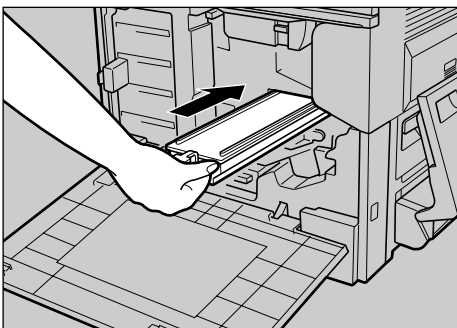
- Be sure to remove the waste toner bottle in a level manner.

- 5** Put the used waste toner bottle 2 into the bag that the new waste toner bottle came in, and then seal the bag.

Important

- Be sure to handle the bottle carefully so that the toner does not spill.

- 6** Insert the new waste toner bottle 2 in the position as shown in the illustration.



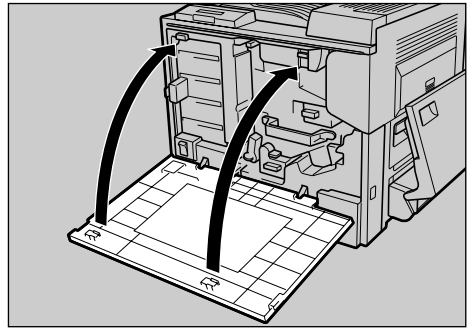
ZESH230J

- 7** Push it in until it stops.

Important

- Be sure to insert the waste toner bottle 2 firmly to avoid the toner from leaking inside the printer.

- 8** Close the front cover slowly by pushing the two areas on the left and right.



ZESH406J

- 9** Turn on the power switch.

Fuser Oil Type 5000

2

⚠ CAUTION:

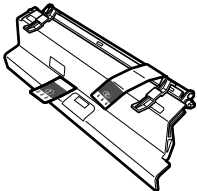
- *The inside of the machine becomes very hot. Do not touch the parts with a label indicating "⚠" (means hot surface). Touching "⚠" (means hot surface) could result in a burn.*
- *The fusing unit becomes very hot. When installing the new fusing unit, turn off the printer and wait about 30 minutes. After that, install the new fusing unit. Not waiting for the unit to cool down can result in a burn.*
- *Do not pull out the fusing unit forcefully. It may cause the unit to fall and result in an injury.*
- *When touching the fusing unit, do not touch any areas other than the handle as it may cause a burn.*

Replace the fuser oil unit when the following message appears on the panel display.

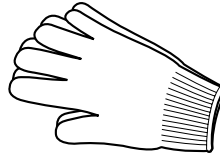


Check the contents of the box for the following items:

❖ **Fuser Oil Unit**



❖ **Gloves**



❖ **Disposal Bag**

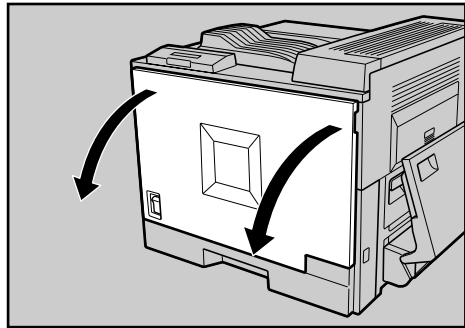
❖ **Maintenance Guide**

1 Turn off the printer power.

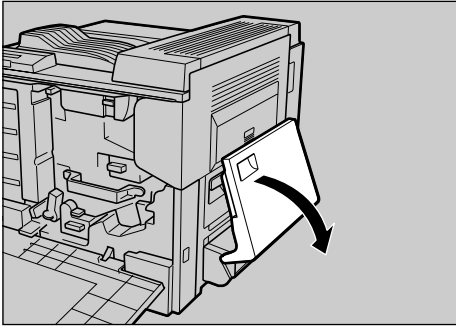
⚠ Important

- To prevent a burn, be sure to wait about 30 minutes after the power is turned off until the fusing unit cools down before touching the fusing unit.

2 Open the front cover slowly by pulling down from the two areas on the left and right.



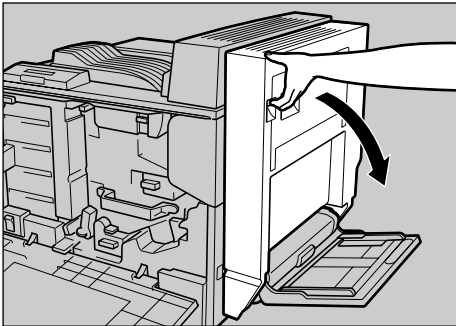
ZESH400J

3 Open the Bypass Tray.

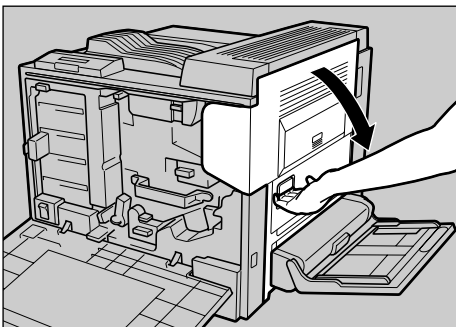
ZESH047J

Note

- Remove the paper on the Bypass Tray to prevent them from falling.

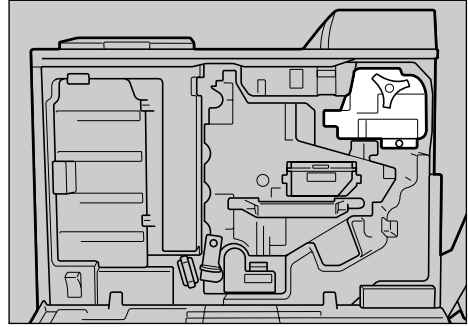
4 If the Duplex Unit is installed, open it by pushing the catch upwards.

ZESH048J

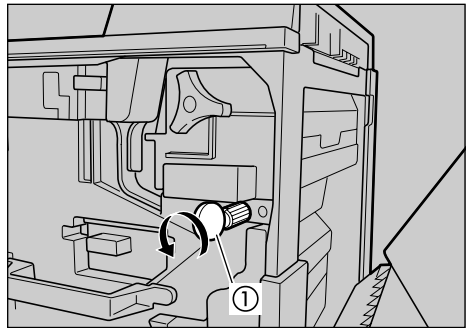
5 Open the right cover of the printer by pushing up the handle.

ZESH208J

The fuser oil unit is placed on the fusing unit shown in the illustration.



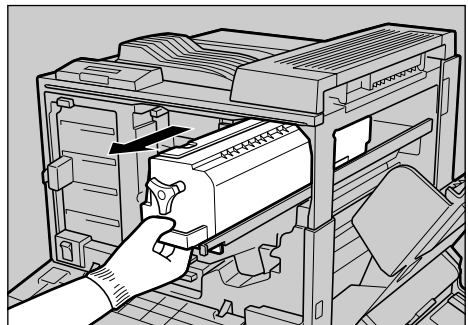
ZESH401J

6 Release the green screw that is fastening the fusing unit.

ZESH402E

Note

- Use a coin (①) to release the screw.
- The screw cannot be detached.

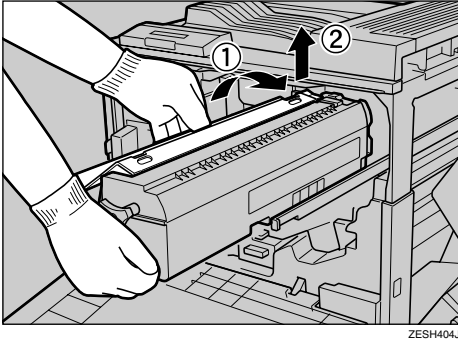
7 Put on the supplied gloves.**8** Holding the handle, pull the fusing unit slowly until it stops.

ZESH052J

Note

- Pull out the fusing unit until the whole of it can be seen.

- 9** Hold the green part in the center of the fuser oil unit, and then remove it from the fusing unit by lifting it in the directions shown (① → ②).



ZESH404J

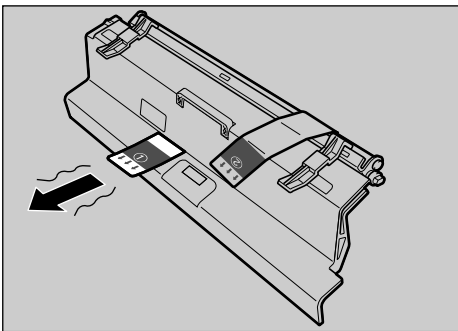
Important

- Be careful not to let oil on the fuser oil unit get in contact with your hands or clothes.

- 10** Put the removed fuser oil unit in the bag supplied.

- 11** Take out the new fuser oil unit from the bag. Remove the covering paper, the seals, and then the fitting.

- ①** Remove the seal ① by shaking it to pull.

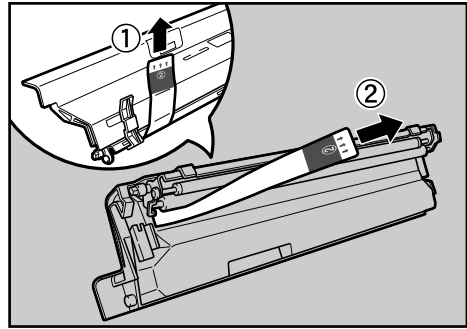


ZESH804J

Note

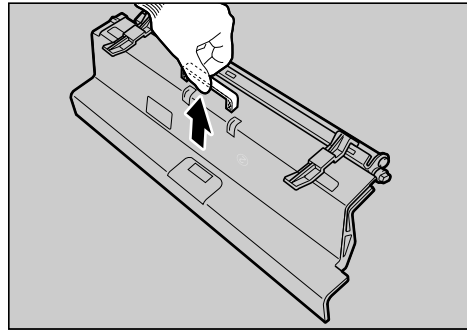
- If you cannot remove it easily, pull it out with a little force.

- ②** Remove the seal ② slowly by turning the fuser oil unit.



ZESH055J

- ③** Remove the fitting.

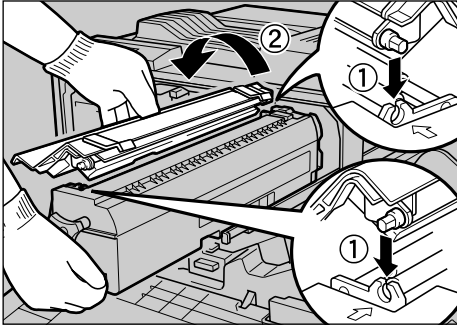


ZESH055J

Important

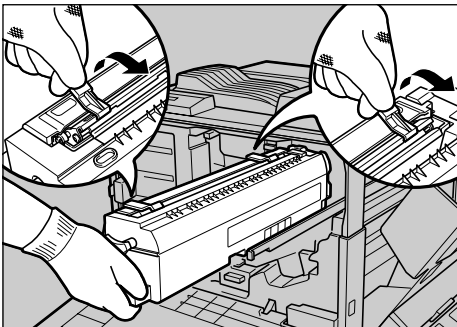
- Be sure to remove the seals to avoid a printer malfunction.
- Be sure to remove the seal ① first, and then remove the seal ② to avoid an oil leak.
- Be sure to put the fuser oil unit in a stable and level place to avoid an oil leak.
- Oil is on the seals and fusing oil roller after removal. Be careful not to get it on your hands or clothes.

- 12** Holding the green part at the center of the fuser oil unit, align the shaft of the fuser oil unit with the metal holder of the fusing unit (①), and then set the fusing oil unit firmly by rotating it to the direction of the arrow (②).



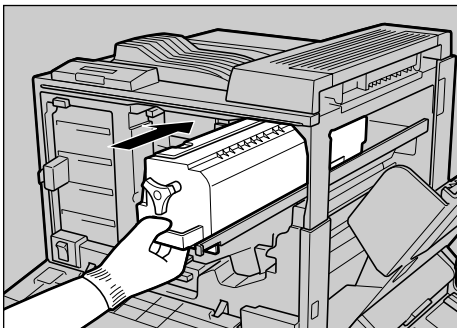
ZESH054J

- 13** Remove the two red fittings along with the tapes from the fuser oil unit.



ZESH056J

- 14** Holding the handle, insert the fusing unit slowly until it stops.

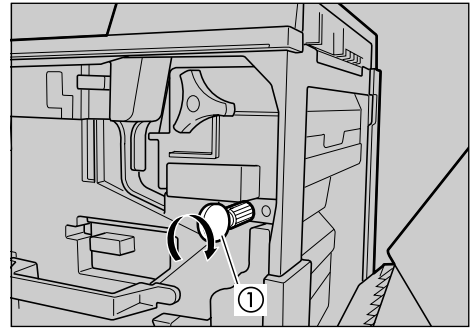


ZESH050J

Important

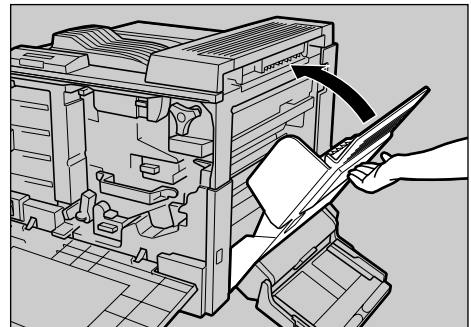
- ❑ Do not press the fusing unit forcefully into the printer, as it may cause a printer malfunction.

- 15** Fasten the green screw tightly using a coin (①).



ZESH520E

- 16** Close the right cover of the printer.



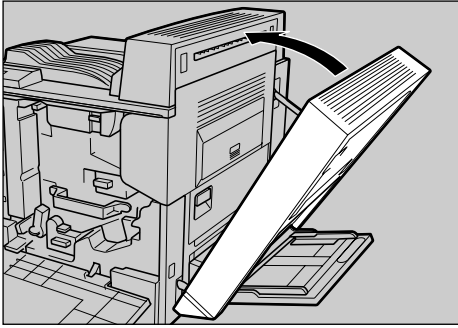
ZESH010J

Note

- ❑ Press "PUSH" to close the cover firmly.

2

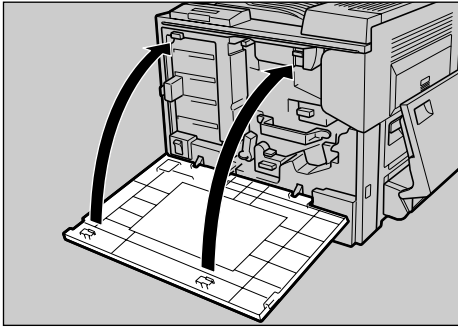
- 17** If the Duplex Unit is installed, close it.



ZESH405J

- 18** Close the Bypass Tray.

- 19** Close the front cover slowly by pushing the two areas on the left and right.



ZESH406J

- 20** Turn on the power switch.

Note

- ☐ If you hear a noise while printing after replacing the fuser oil unit, the seals **1** and **2** may not have been removed. Go back to step **1** to confirm that the seals are removed.

- 21** Perform the maintenance reset.

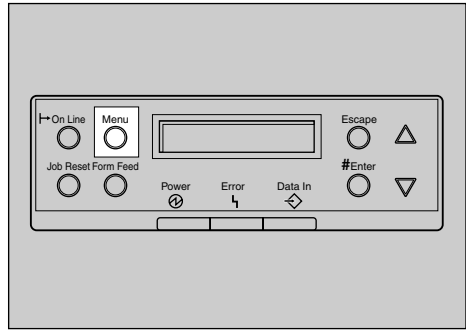
When "Replace Fuser Oil Unit" appears on the panel display

- 1** Press and hold **[Escape]** for over five seconds. The message disappears and maintenance reset start automatically.



When "Replace Fuser Oil Unit soon" appears on the panel display

- 1** Press **[Menu]**.



ZDJS001N

"Menu" appears on the panel display.

- 2** Press **[▲]** or **[▼]** to show "Maintenance" on the panel display, and then press **[Enter #]**.



"Maintenance" appears on the panel display.

- Press **[▲]** or **[▼]** to show "Maint. Reset" on the panel display, and then press **[Enter #]**.

```
Maintenance:
  Maint. Reset
```

- Press **[▲]** or **[▼]** to show "Fuser Oil Unit" on the panel display, and then press **[Enter #]**.

```
Maint. Reset
  Fuser Oil Unit
```

The message appears on the panel display.

```
Fuser Oil Unit
  Press # to Reset
```

- Press **[Enter #]**.

After a few seconds, the "Maint. Reset" menu will return.

- Press **[Online]**.

Return to normal display.

```
Ready
```

Note

- If you hear a noise while printing after replacing the fuser oil unit, the seals **①** and **②** may not have been removed. Go back to step **①** to confirm that the seals are removed.

Development Unit Type 5000 Black/Color

⚠ **WARNING:**

- **Do not incinerate spilled toner or used toner. Toner dust is flammable and might ignite when exposed to an open flame. Disposal should take place at an authorized dealer or an appropriate collection site. If you dispose of the used toner containers yourself, dispose of them according to local regulations.**

⚠ **CAUTION:**

- *Keep toner (used or unused) and the toner cartridge out of reach of children.*
- *Do not put an object on the left cover when it is open.*

Replace the development unit of the indicated color when the following message appears on the panel display.

The toner cartridge of the indicated color is also time to replace.

🔍 **Reference**

For information about printable number of pages, see p.65 "Consumables".

Replace
Development Unit

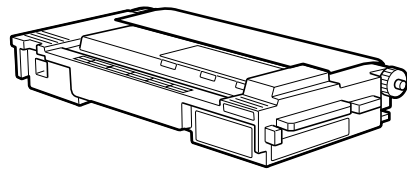
XXX/XXX

📎 **Note**

- The messages above will be displayed one after another.
- For XXX, up to four colors will be displayed.

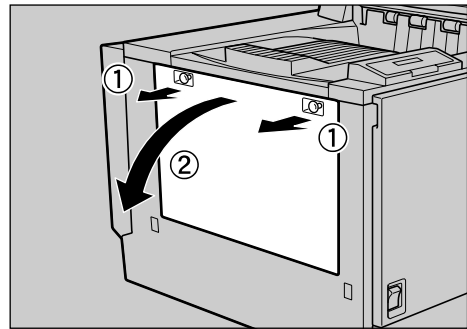
Check the contents of the box for the following items:

❖ **Development Unit**



❖ **Maintenance Guide**

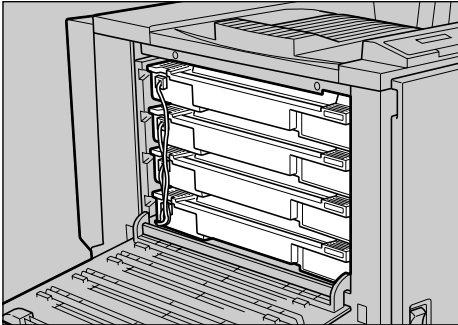
- 1** Turn off the printer power.
- 2** Open the left cover of the printer by pulling the fasteners (① → ②).



📎 **Note**

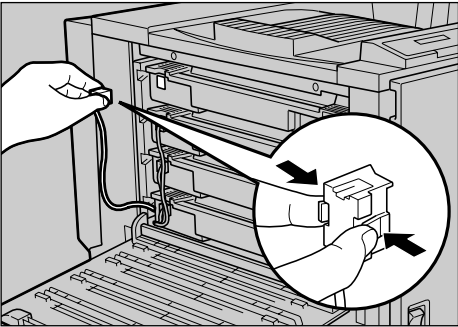
- The two round fasteners cannot be detached.

From the top, the development units are installed in the order of black, yellow, cyan, and magenta.



ZESH403J

- 3** Detach the connectors from the development units from the top to the bottom by pressing the sides of the connectors.

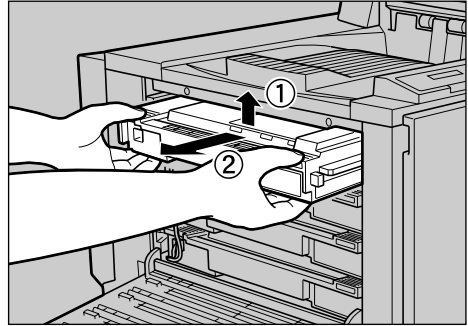


ZESH410J

Note

- When replacing only the black development unit, detach the top connector only. The other connectors do not have to be detached.

- 4** Remove the development unit of desired color by lifting it first as shown in the illustration (1 → 2).



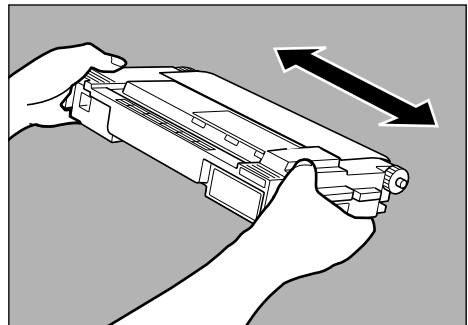
ZESH411J

The illustration shows how to remove the black development unit. The procedure is the same for all four colors.

Important

- Be sure to hold the unit with both hands, and then pull it slowly.

- 5** Hold the development unit, and then shake it about 10 times.

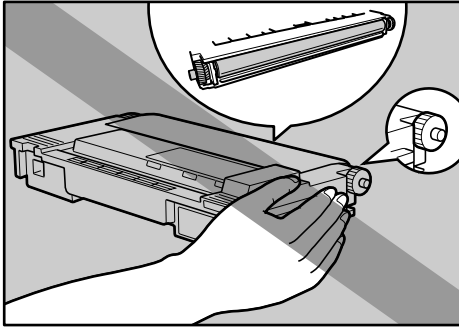


ZESHE414J

Important

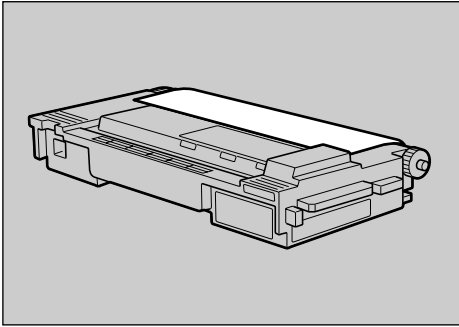
- Hold the unit with the roller facing down.
- Do not add shocks to the unit.
- If you do not shake the unit well, it may take longer for the initial adjustments when turned on.

- ❑ Do not touch the roller or the gears shown in the illustration.



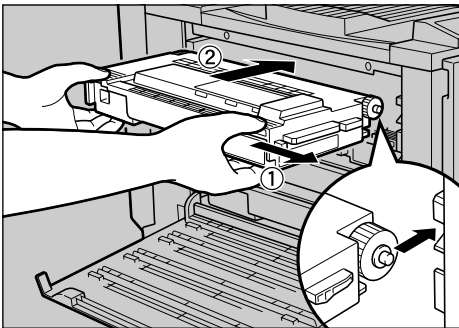
ZESH668J

6 Remove the covering paper.



ZESH665J

7 Set the new development unit by aligning the guides, pushing towards direction (1), and then inserting slowly until it stops (2).



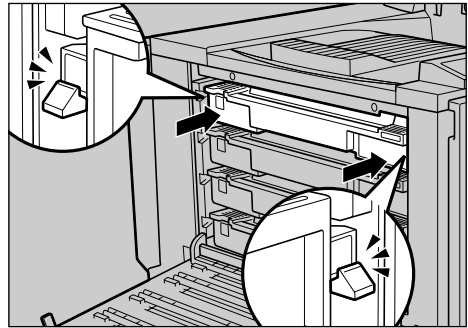
ZESH412J

The illustration shows how to install the black development unit. The procedure is the same for all four colors.

Note

- ❑ When installing the development unit, it may come out a little. This is not a malfunction.

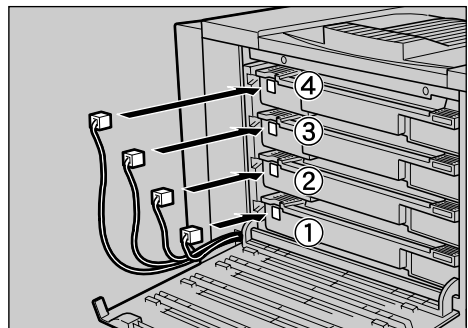
8 Confirm the label for the color, and then confirm that the unit is securely fit in the stoppers.



ZESH650J

When there is a white line showing at the stoppers, reinsert the unit by following step 7.

9 Insert the connectors to the development units from the bottom (1) to the top (4) until they click into place.

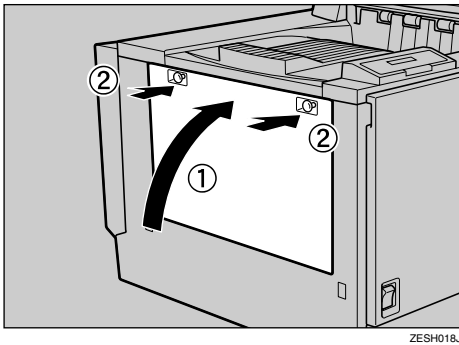


ZESH046J

Important

- ❑ Be sure that all four connectors are connected to the development units. Turning on the power without all four connectors connected to the units may cause a printer malfunction.

- 10** Close the left cover of the printer by pushing the fasteners (2) while holding the cover (1).



- 11** Turn on the power switch.

"Please Wait" appears on the panel display, and then initial adjustments begin. Please wait until it stops for approximately three and a half minutes per color.

Please Wait

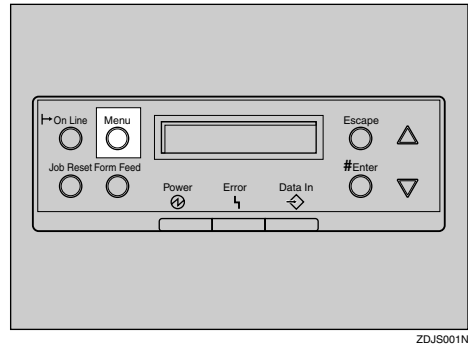
Important

- Do not turn off the power switch when adjustments are being made to avoid a printer malfunction.

Printing the Test Page

- 1** Press **[Menu]**.

Print the sheet for checking the color condition to confirm the development units are properly installed.



"Menu" appears on the panel display.

- 2** Press **[▲]** or **[▼]** to show "Maintenance" on the panel display, and then press **[Enter #]**.

Menu:
Maintenance

"Maintenance" appears on the panel display.

- 3** Press **[▲]** or **[▼]** to show "Devp.Unit Check" on the panel display, and then press **[Enter #]**.

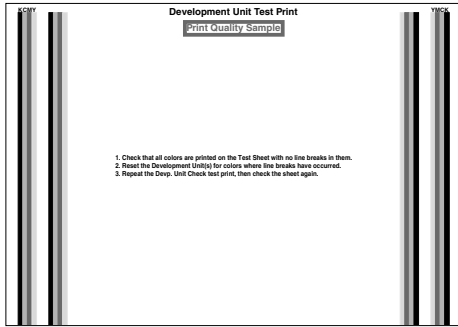
Maintenance
Devp.Unit Check

The message appears on the panel display.

Press # to test
Print Devp. Unit

4 Press **[Enter #]**.

Print out the sheet for checking the color condition.

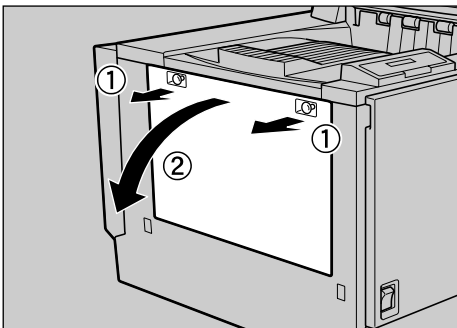


Color-01

5 Use the sheet to check the print quality of each color.

If the printed sheet has no broken or blurred colors, the development units are installed properly. If this is not the case, reset the Development Unit(s) by the following procedure.

6 Open the left cover of the printer by pulling the fasteners (① → ②).

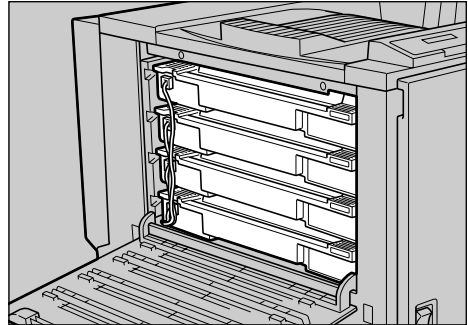


ZESH409J

Note

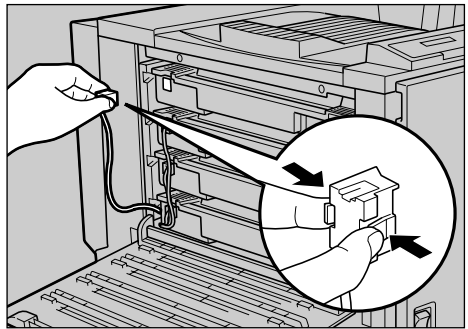
- The two round fasteners cannot be detached.

From the top, the development units are installed in the order of black, yellow, cyan, and magenta.



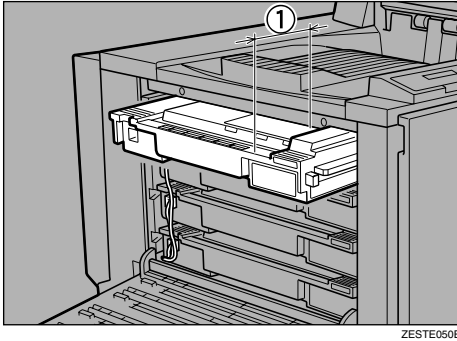
ZESH403J

7 Detach the connectors from the development units from the top to the bottom by pressing the sides of the connectors.



ZESH410J

- 8** Pull out the development unit partially (approximately 30mm ①) by lifting it first as shown in the illustration.



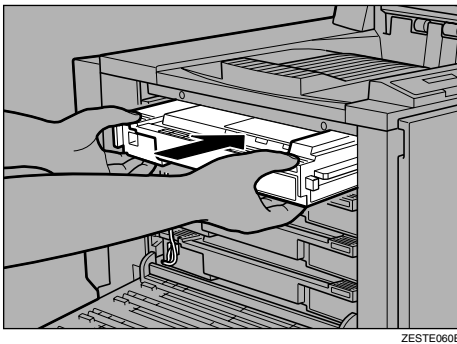
The illustration shows how to pull out the black development unit.

The procedure is the same for all four colors.

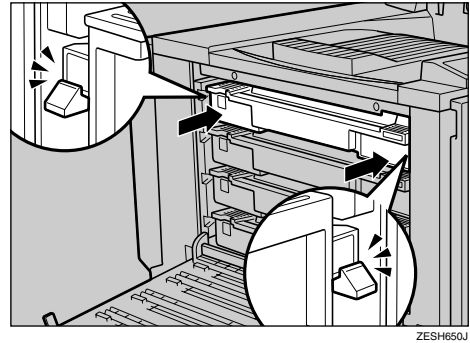
Important

- Be sure to hold the unit with both hands, and then pull it slowly.

- 9** Push the development unit slowly until it stops.



- 10** Confirm the label for the color, and then confirm that the unit is securely fit in the stoppers.



When there is a white line showing at the stoppers, reinsert the units.

- 11** Repeat steps **1** to **4** to print the sheet for checking the color again and re-check the print quality.

Fusing Unit Type 5000/Friction Pad/Paper Feed Roller

2

⚠ CAUTION:

- *The inside of the machine becomes very hot. Do not touch the parts with a label indicating "⚠" (means hot surface). Touching "⚠" (means hot surface) could result in a burn.*
- *The fusing unit becomes very hot. When installing the new fusing unit, turn off the printer and wait about 30 minutes. After that, install the new fusing unit. Not waiting for the unit to cool down can result in a burn.*
- *Do not pull out the fusing unit forcefully. It may cause the unit to fall and result in an injury.*
- *When touching the fusing unit, do not touch any areas other than the handle as it may cause a burn.*

Replace all of the paper feed roller, friction pad and fusing unit when the following message appears on the panel display.

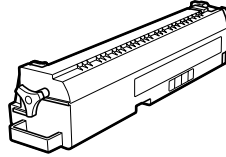


🔧 Note

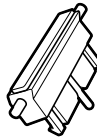
- When replacing the fusing unit, replace the paper feed roller (for Tray 1) and the friction pad as well.
- Replace the friction pad and the paper feed roller before replacing the fusing unit.

Check the contents of the box for the following items:

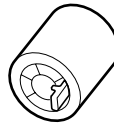
❖ **Fusing Unit**



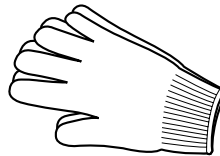
❖ **Friction Pad**



❖ **Paper Feed Roller**



❖ **Gloves**



❖ **Fitting**



❖ **Maintenance Guide**

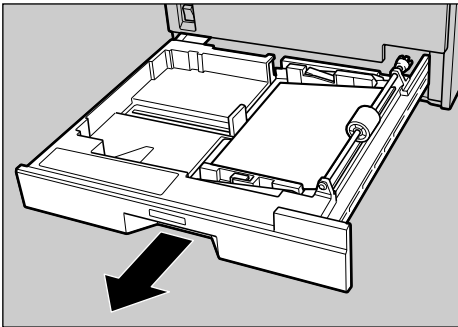
Replacing the friction pad and the paper feed roller (for Tray 1)

- 1 Turn off the printer power.

⚠ Important

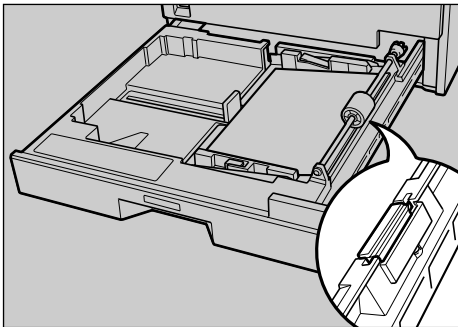
- ❑ To prevent a burn, be sure to wait about 30 minutes after the power is turned off until the fusing unit cools down before touching the fusing unit.

- 2 Pull out Tray 1 slowly while lifting it up a little.



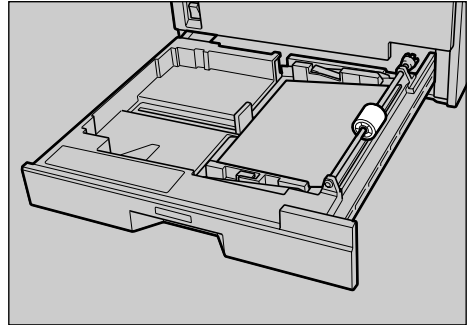
ZESH436J

The friction pad is installed as shown in the illustration.



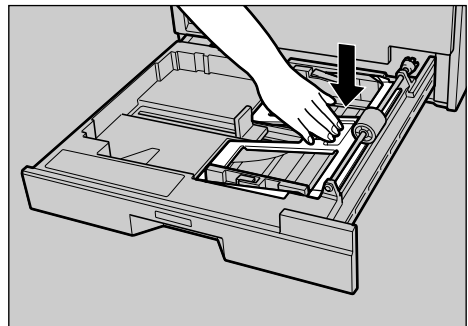
ZESH550J

The paper feed roller (for Tray 1) is installed as shown in the illustration.



ZESH437J

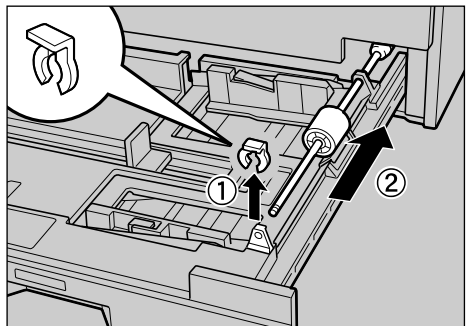
- 3 Lower the base panel by pushing "Push". When paper is loaded in the tray, push down on the paper.



ZESH470J

- 4 When paper is loaded in the tray, remove them.

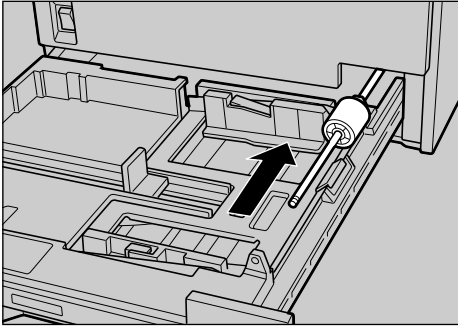
- 5 Remove the stopper (①), and then release the bar that is holding the paper feed roller by pushing towards back (②).



ZESH438J

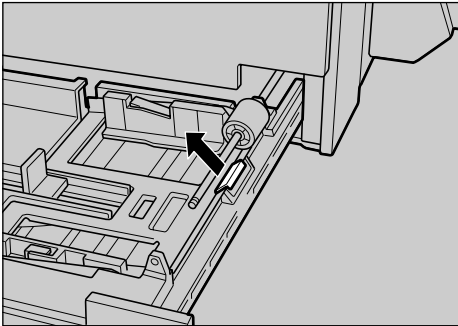
2

- 6** Press the bar to the position shown in the illustration.



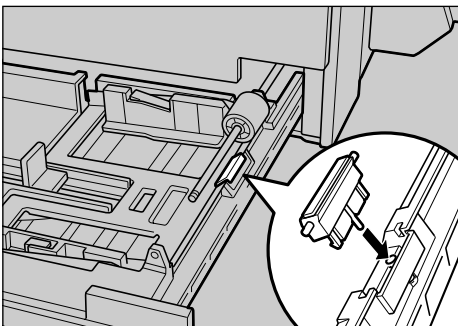
ZESH444J

- 7** Remove the friction pad by holding its sides.



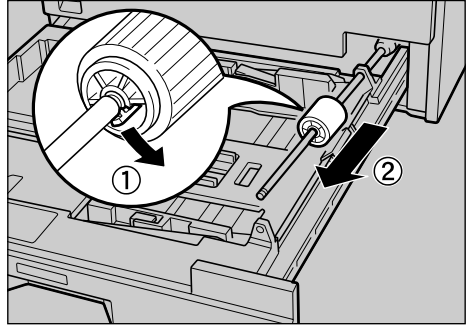
ZESH456J

- 8** Set the new friction pad by inserting its projection to the hole until it clicks.



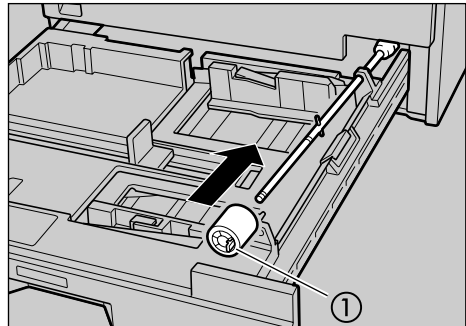
ZESH445J

- 9** Remove the paper feed roller from the bar by pulling it out (2) while pushing its stopper outwards (1).



ZESH439J

- 10** Set the new paper feed roller on the bar by pushing it through with the stopper (1) facing towards you.

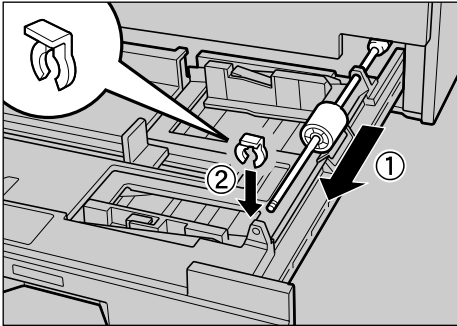


ZESH440E

Note

- The paper feed roller will stop at the right position.

- 1 Set the bar to the tray (①), and then set the stopper (②).



ZESH441J

- 2 Set the paper on the tray, and then close the tray firmly.

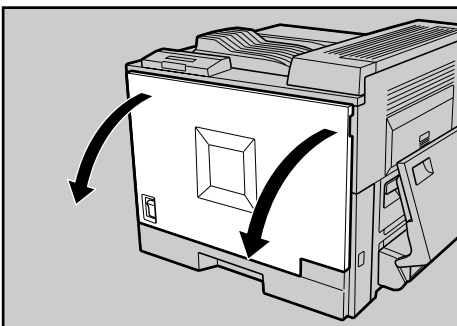
In the next step, replace the fusing unit.

Replacing the Fusing Unit

Important

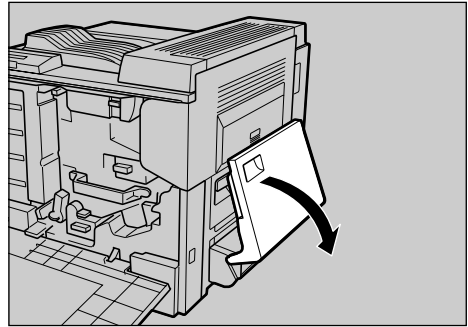
- ❑ Confirm that the printer power is off. To prevent a burn, be sure to wait about 30 minutes after the power is turned off until the fusing unit cools down before touching the fusing unit.
- ❑ Be sure to make a setting from the control panel after replacing the fusing unit. Without it, the replacement is incomplete.

- 1 Open the front cover slowly by pulling down from the two areas on the left and right.



ZESH400J

- 2 Open the Bypass Tray.

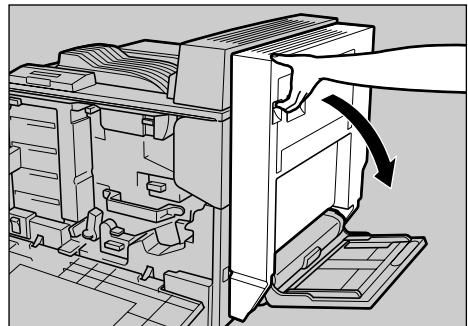


ZESH047J

Note

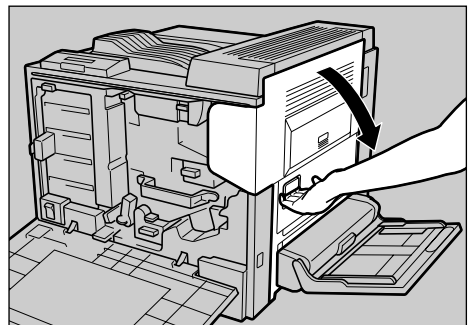
- ❑ Remove the paper on the Bypass Tray to prevent them from falling.

- 3 If the Duplex Unit is installed, open it by pushing the catch upwards.



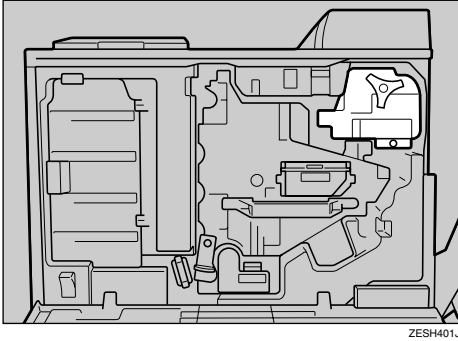
ZESH048J

- 4 Open the right cover of the printer by pushing up the handle.



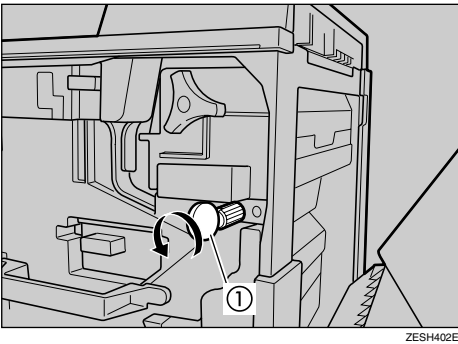
ZESH208J

The fusing unit is installed as shown in the illustration.



2

5 Release the green screw that is fastening the fusing unit.

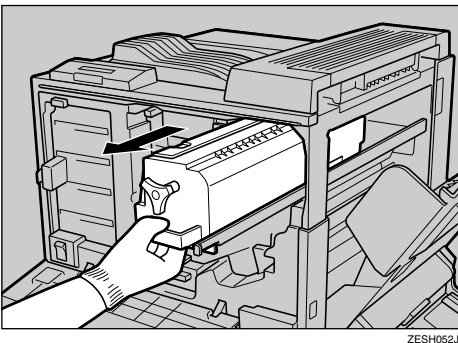


Note

- Use a coin (①) to release the screw.
- The screw cannot be detached.

6 Put on the supplied gloves.

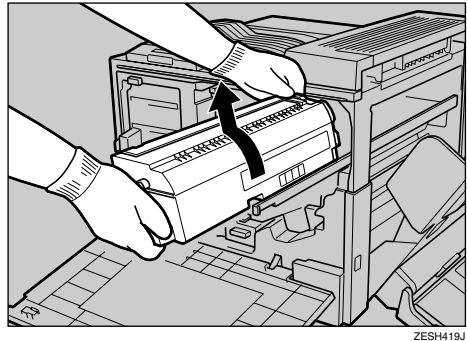
7 Holding the handle, pull the fusing unit slowly until it stops.



Note

- Pull out the fusing unit until the whole of it can be seen.

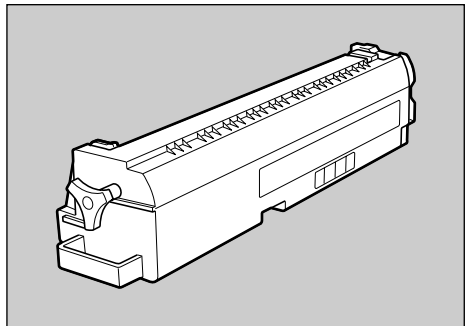
8 Hold the green handles on the sides of the fusing unit with both hands, and then remove it towards the direction shown.



Important

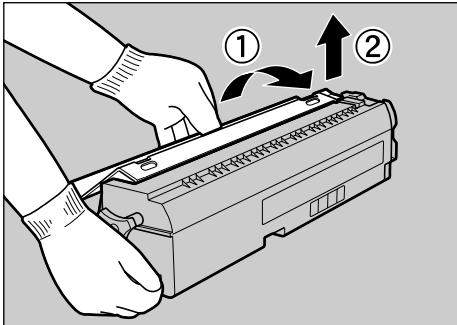
- Put the removed fusing unit on a stable, flat surface.

9 Take out the new fusing unit from the box. Put it on a stable, flat surface, and then remove the covering paper.



10 Remove the fuser oil unit from the removed fusing unit, and then set it on the new fusing unit.

1 Hold the green part in the center of the fuser oil unit, and then remove it from the fusing unit by lifting it in the directions shown (① → ②).

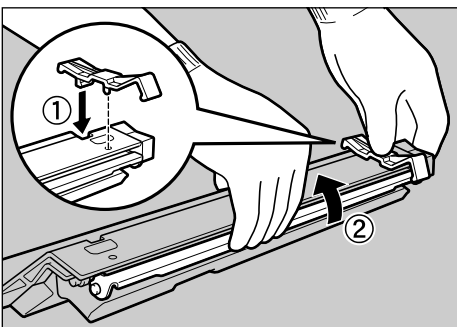


ZESH421J

Important

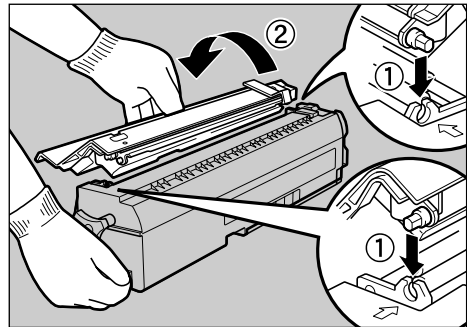
❑ Be careful not to let oil on the fuser oil unit get in contact with your hands or clothes.

2 Place the supplied fitting to the removed fuser oil unit. Hook the fitting on the fuser oil unit (①), and then insert the projection in the back of the fitting to the hole in the fuser oil unit. Next, lift the bar on the fuser oil unit lock it in the fitting (②).



ZESH426J

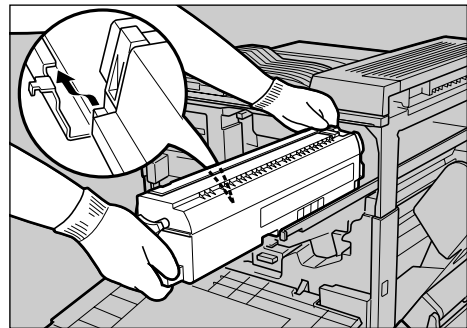
3 Holding the green part at the center of the fuser oil unit, align the shaft of the fuser oil unit with the metal holder of the fusing unit (①), and then set the fusing oil unit firmly by rotating it to the direction of the arrow (②).



ZESH422J

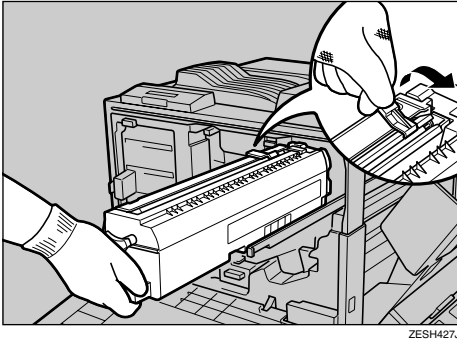
11 Put the used fusing unit in the bag that the new fusing unit came in, and then seal the bag.

12 Set the new fusing unit by holding it with both hands and then aligning the guides.

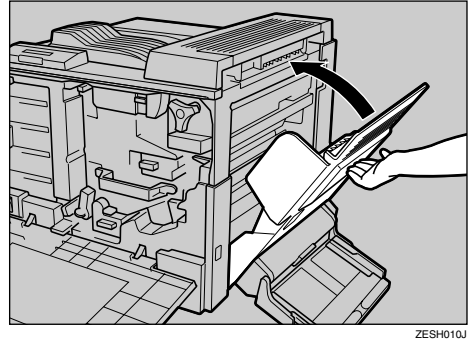


ZESH423J

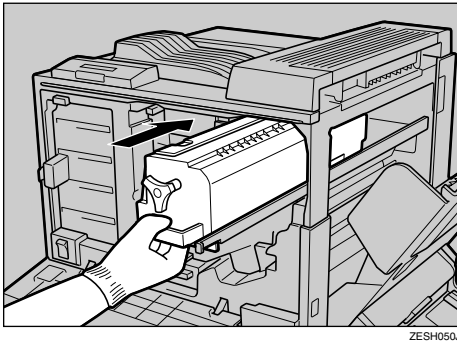
- 13 Remove the fitting that you placed in step 10.



- 16 Close the right cover of the printer.



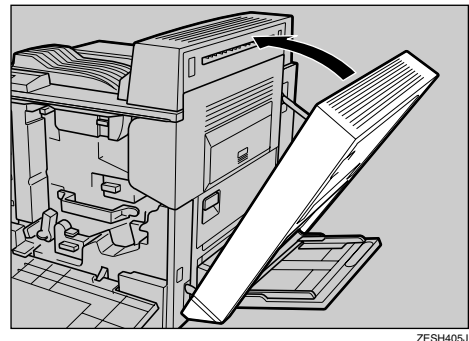
- 14 Holding the handle, insert the fusing unit slowly until it stops.



 **Note**

- Press "PUSH" to close the cover firmly.

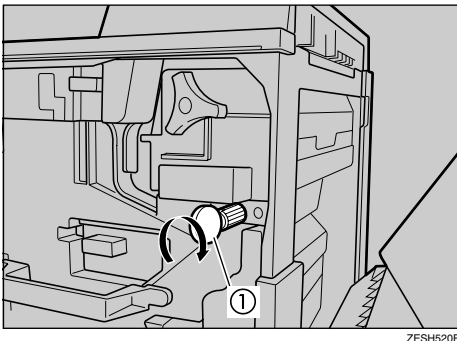
- 17 If the Duplex Unit is installed, close it.



 **Important**

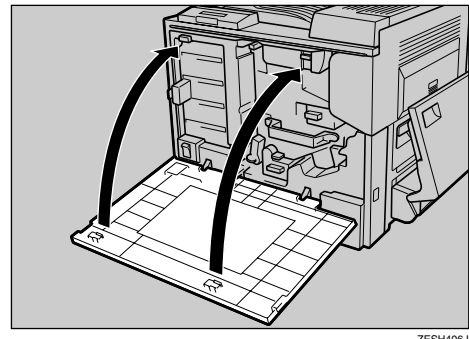
- Do not press the fusing unit forcefully into the printer, as it may cause a printer malfunction.

- 15 Fasten the green screw tightly using a coin (1).



- 18 Close the Bypass Tray.

- 19 Close the front cover slowly by pushing the two areas on the left and right.



20 Turn on the power switch.

21 Make a setting from the control panel.

When Two Messages Appear on the Panel Display

1 When the following messages appear on the panel display, follow the steps in the instruction manual that is provided with the fusing unit.

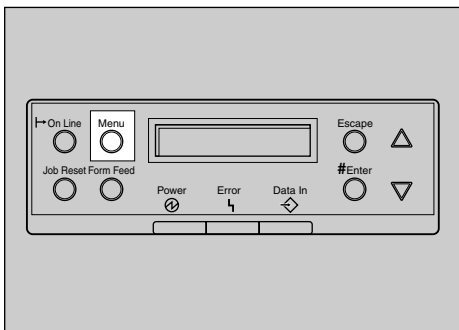
```
Replace
Fusing Unit
```

```
See Instructions
before replacin
```

When Only One Message Appears on the Panel Display

```
Replace
Fusing Unit
```

1 Press **[Menu]**.



"Menu" appears on the panel display.

2 Press **[▲]** or **[▼]** to display "Maintenance", and then press **[Enter #]**.

```
Menu:
Maintenance
```

3 Press **[▲]** or **[▼]** to display "Maint. Reset", and then press **[Enter #]**.

```
Maintenance:
Maint. Reset
```

4 Press **[▲]** or **[▼]** to display "Fusing Unit", and then press **[Enter #]**.

```
Maint. Reset:
Fusing Unit
```

The following message appears.

```
Fusing Unit:
Press # to Reset
```

5 Press **[Enter #]**. Wait for a few seconds.

6 Press **[On Line]**.

"Ready" appears on the panel display.

```
Ready
```

Printer Maintenance Kit Type 3800H (paper feed rollers for the optional Paper Feed Unit)

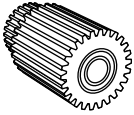
2

⚠ CAUTION:

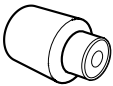
- The inside of the machine becomes very hot. Do not touch the parts with a label indicating "⚠" (means hot surface). Touching "⚠" (means hot surface) could result in a burn.

Check the contents of the box for the following items:

❖ Paper Feed Roller (A)



❖ Paper Feed Roller (B)

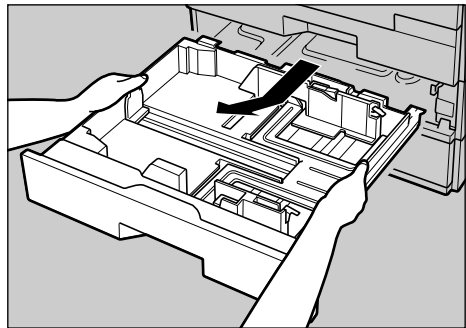


❖ Paper Feed Roller (C)



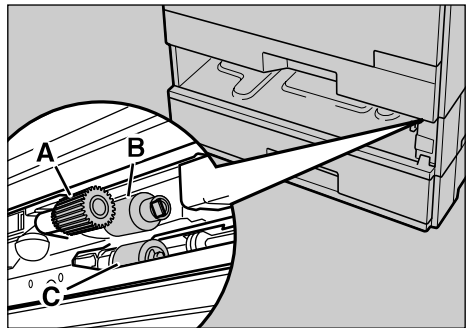
❖ Maintenance Guide

- 1 Turn off the printer power.
- 2 Pull out the tray of the Paper Feed Unit slowly while lifting it up a little.



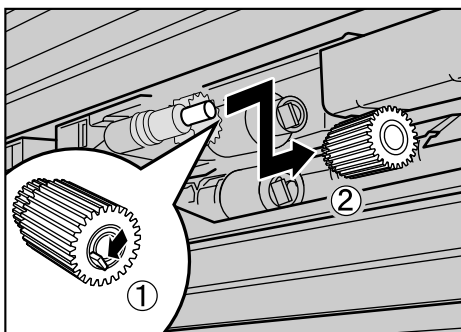
ZESH654J

The three paper feed rollers (A), (B) and (C) are installed as shown in the illustration.



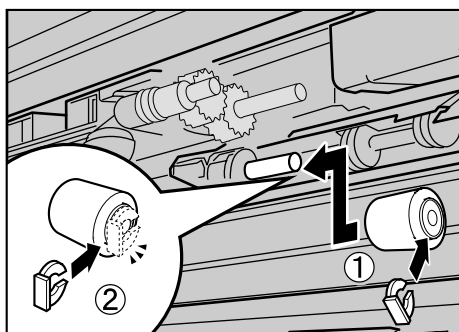
ZESH655J

- 3** Remove the paper feed roller (A) by pulling it out (2) while pushing its stopper outwards (1).



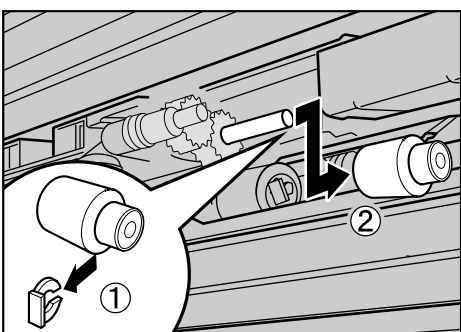
ZESH656J

- 7** Set the new paper feed roller (C) by inserting it on the bar (1), and then placing the stopper on it (2).



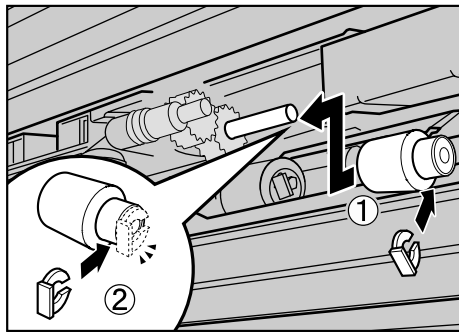
ZESH659J

- 4** Remove the paper feed roller (B) by removing its stopper (1), and then pulling it out (2).



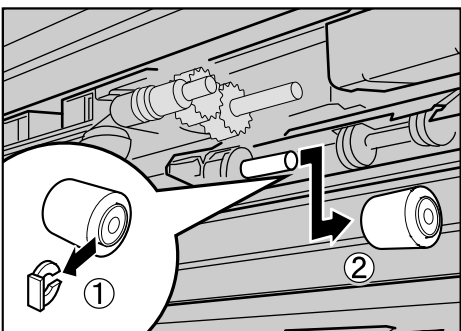
ZESH657J

- 8** Set the new paper feed roller (B) by inserting it on the bar (1), and then placing the stopper on it (2).



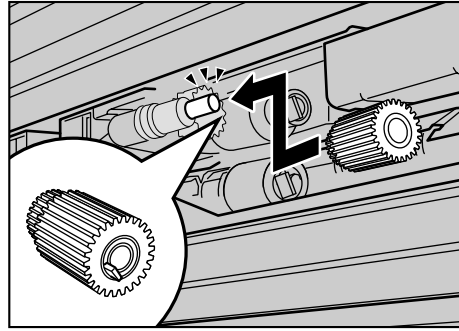
ZESH660J

- 5** Remove the paper feed roller (C) by removing its stopper (1), and then pulling it out (2).



ZESH658J

- 9** Set the new paper feed roller (A) by inserting it on the bar (1) until the stopper clicks into place.



ZESH661J

- 6** Take out the new paper feed rollers (A), (B) and (C).

- 10** Close the tray slowly until it stops.

Photo Conductor Unit Type 5000/Dustproof Filters

2

⚠ WARNING:

- **Do not incinerate spilled toner or used toner. Toner dust is flammable and might ignite when exposed to an open flame. Disposal should take place at an authorized dealer or an appropriate collection site. If you dispose of the used toner cartridges yourself, dispose of them according to local regulations.**

⚠ CAUTION:

- *The inside of the machine becomes very hot. Do not touch the parts with a label indicating "⚠" (means hot surface). Touching "⚠" (means hot surface) could result in a burn.*
- *When replacing the photoconductor unit, hold the handles in beige and green, and then lift it slowly. Lifting it in an inappropriate manner or handling it carelessly may cause the unit to drop and result in an injury.*
- *Do not put an object on the front cover when it is open.*

Replace all of the dustproof filters (A) and (B) and the photoconductor unit when the following message appears on the panel display.

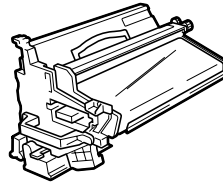


✎ Note

- When replacing the photoconductor unit, replace the dustproof filters (A) and (B) as well.
- Replace the dustproof filters before replacing the photoconductor unit.

Check the contents of the box for the following items:

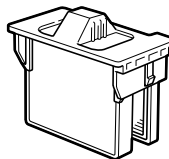
❖ **Photoconductor Unit**



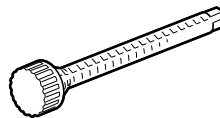
❖ **Dustproof Filter (A)**



❖ **Dustproof Filter (B)**



❖ **Screwdriver**

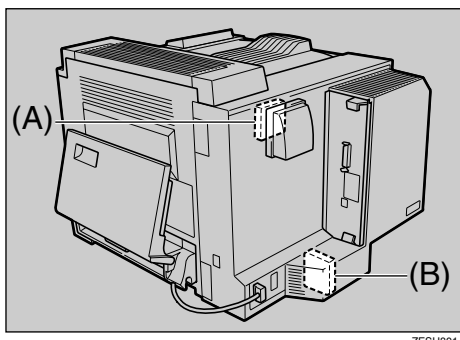


❖ **Maintenance Guide**

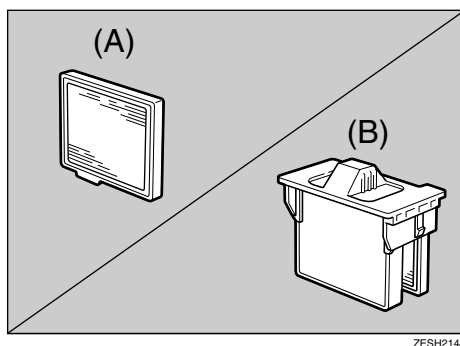
Replacing the dustproof filters

Note

- The dustproof filters (A) and (B) are attached to the back of the printer as shown in the illustration.



- Turn off the printer power.
- Take out the new dustproof filters (A) and (B) from the package.

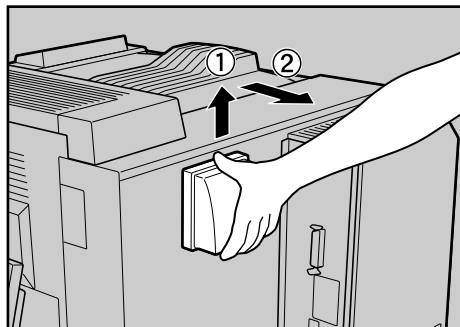


The dustproof filter (B) is a cartridge that also contains an ozoneproof filter.

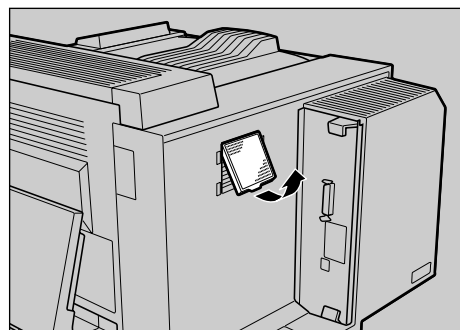
The bag that new filters came in will be used to dispose the used filters.

3 Replace the dustproof filter (A).

- Lift the dustproof filter cover by holding the bottom of it (1) to remove it (2).



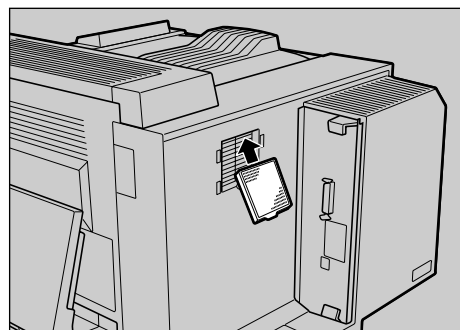
- Remove the dustproof filter slowly by holding the tab on the bottom, and then put it in the bag that the new filter came in.



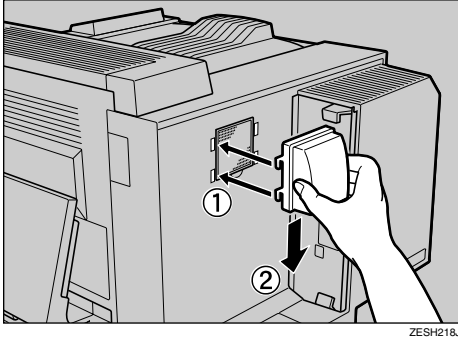
Important

- Do not shake the removed dustproof filter. It may cause dust to fall off.

- Set the new dustproof filter with the tab facing down.



- 4 Set the dustproof filter cover that you removed in step 1. Insert the projections in the holes (1), and then push downwards (2).

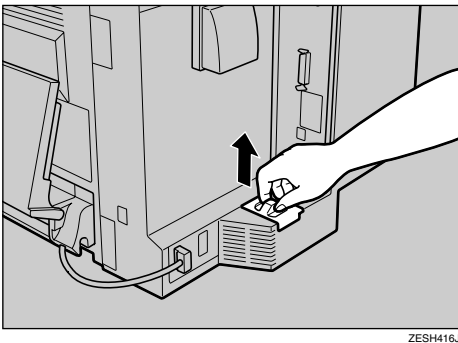


- 4 Replace the dustproof filter (B).

Note

- The dustproof filter (B) is a cartridge that contains the filters and the cover all in one.

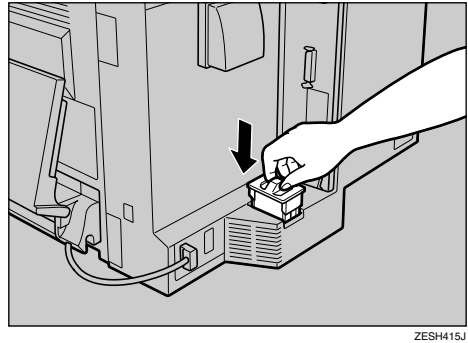
- 1 Pull out the cartridge by holding the handle of the cover, and then put it in the bag that the new cartridge came in.



Important

- Do not shake the removed cartridge. It may cause dust to fall off.

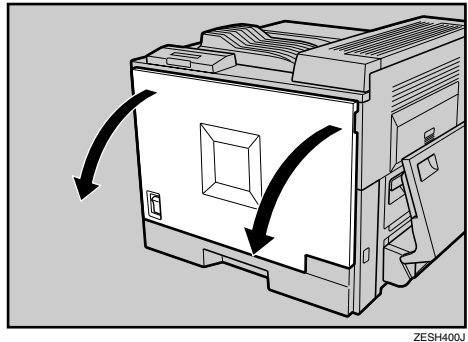
- 2 Set the new cartridge.



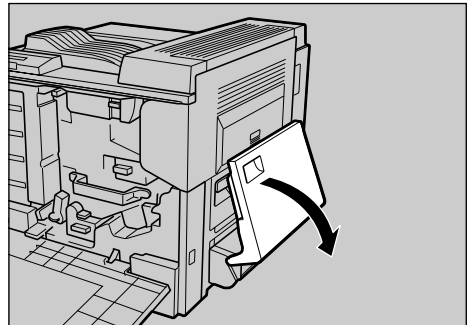
In the next step, replace the photoconductor unit.

Replacing the Photoconductor Unit

- 1 Open the front cover slowly by pulling down from the two areas on the left and right.



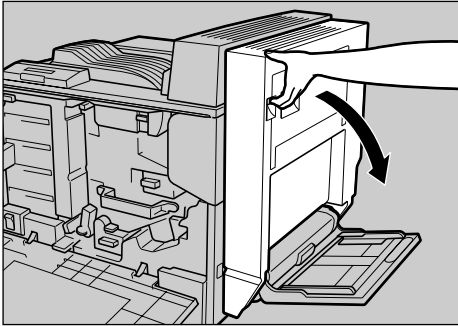
- 2 Open the Bypass Tray.



Note

- Remove the paper on the Bypass Tray to prevent them from falling.

- 3** If the Duplex Unit is installed, open the unit by pushing the catch upwards.

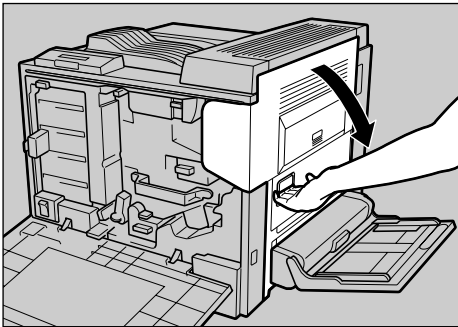


ZESH048J

Note

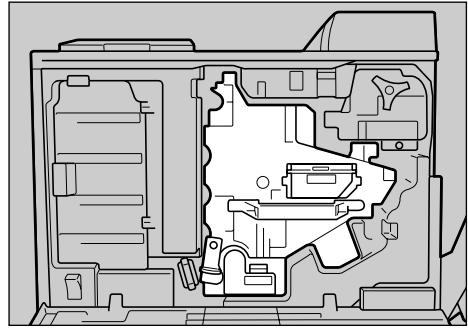
- Remove the paper on the Bypass Tray to prevent them from falling.

- 4** Open the right cover of the printer by pushing up the handle in order to remove the screws on the photoconductor unit.



ZESH208J

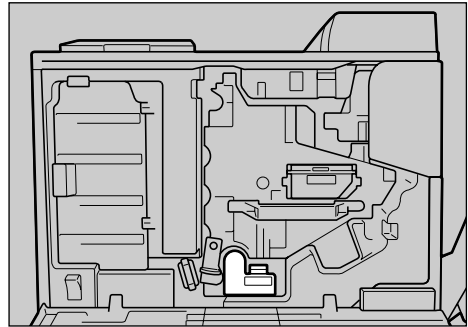
The photoconductor unit is installed as shown in the illustration.



ZESH407J

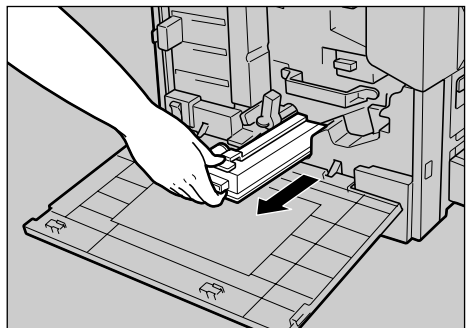
- 5** Remove waste toner bottles 1.

Waste toner bottle 1 is installed as shown in the illustration.



ZESH501J

- 1** Pull out waste toner bottle 1.



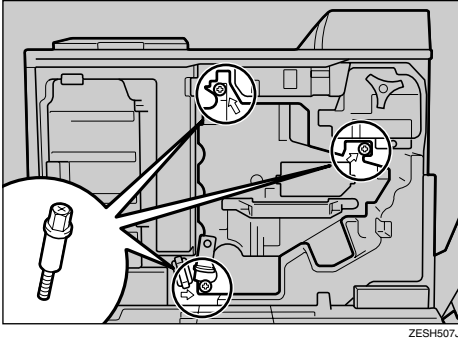
ZESH433J

Important

- Be sure to remove the waste toner bottle in a level manner.

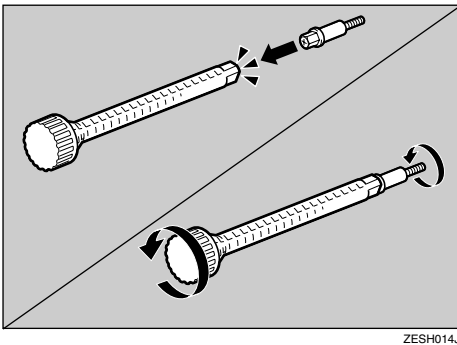
6 Take out the screwdriver that came with the photoconductor unit.

7 Remove the three screws indicated in green (▲) using the screwdriver.



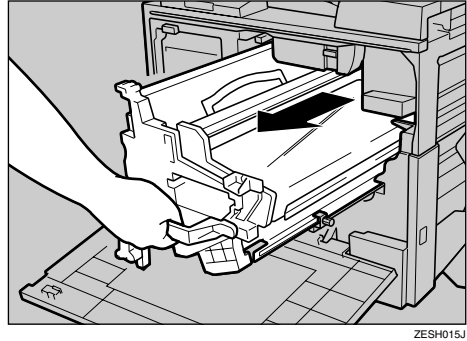
Note

To prevent screws from falling down, press the screwdriver onto the screw until it clicks into place.



You need the three screws afterwards.

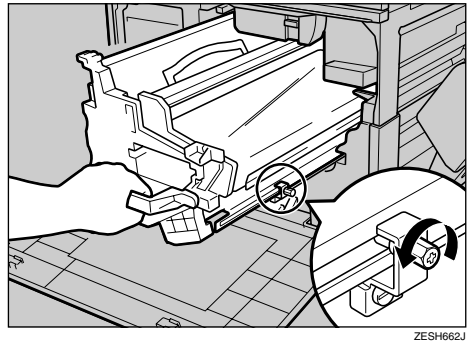
8 Hold the beige handle of the photoconductor unit, and then slowly pull it out halfway until the green handle on the top of the unit appears.



Important

Do not pull out the unit forcefully.

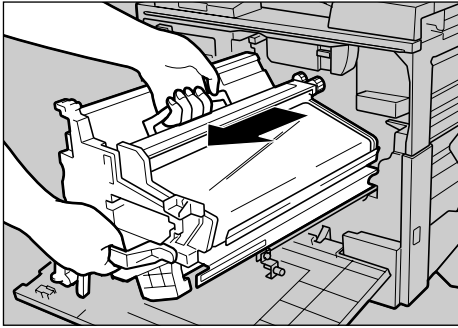
9 By holding the beige handle of the photoconductor unit, release the screw shown in the illustration, and then release the stopper.



Note

The screw cannot be detached.

- 10** By holding the beige handle of the photoconductor unit, hold the green handle on the top of the unit as shown in the illustration, and then pull the unit slowly until it stops.

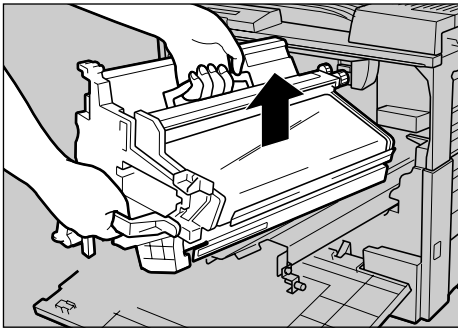


ZESH016J

Note

- Do not touch any areas other than the handles.

- 11** Remove the photoconductor unit by lifting it slowly.

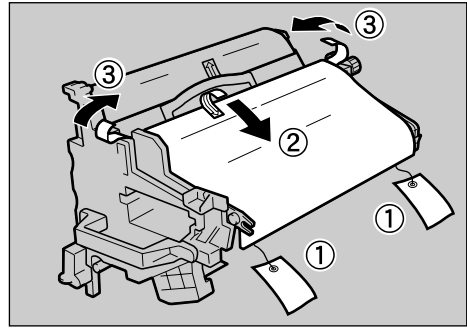


ZESH508J

Important

- Do not tilt or turn over the removed photoconductor unit. It may cause toner to leak.

- 12** Take out a new photoconductor unit from the box, and then remove the two stoppers by holding the red tags (1), the covering lightproof paper (2) and the tapes (3).



ZESH045J

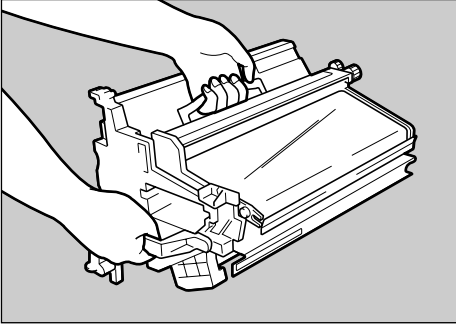
Important

- Keep the film from dust or scratch as it may lower printing quality.
- Do not leave the photoconductor unit without the covering lightproof paper for a long time. The unit is light sensitive. Replacement of the unit must be done quickly.

Note

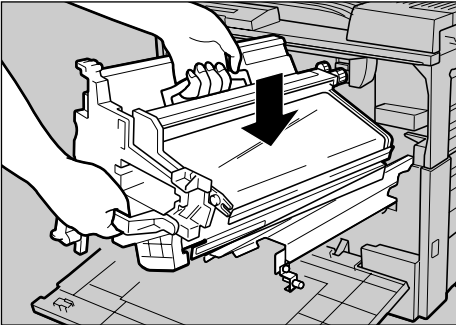
- Remove the lightproof paper in the front only. The lightproof paper in the back will be removed in step 17.

- 13** Hold the new photoconductor unit with both hands as shown in the illustration.



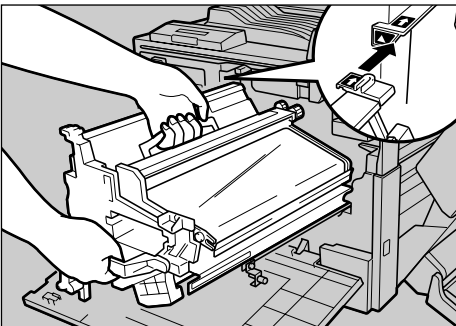
ZESH406J

- 14** Place the photoconductor unit slowly on the rail.



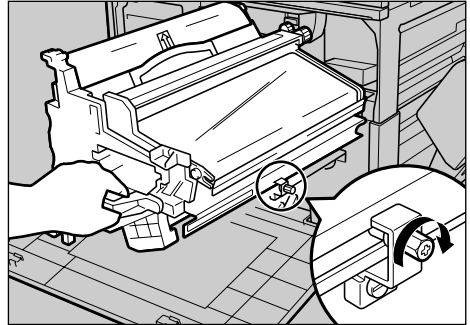
ZESH511J

- 15** Set the photoconductor unit by placing it on the guide with a label (Δ). Matching the arrow on the unit and the label makes it easy to place the unit on the guide.



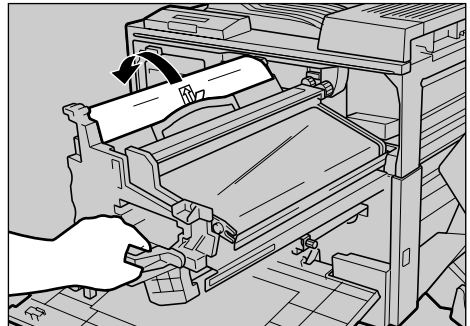
ZESH211J

- 16** By holding the beige handle of the photoconductor unit as shown in the illustration, tighten the screw that you released in step 9 to tighten the stopper.



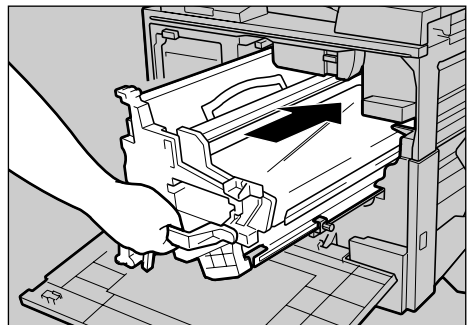
ZESH663J

- 17** Remove the lightproof paper in the back.



ZESH210J

- 18** By holding the beige handle of the photoconductor unit, insert the unit slowly until it stops.

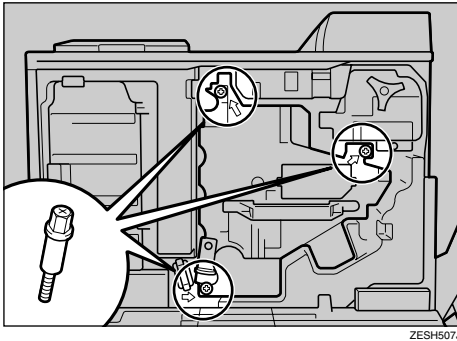


ZESH664J

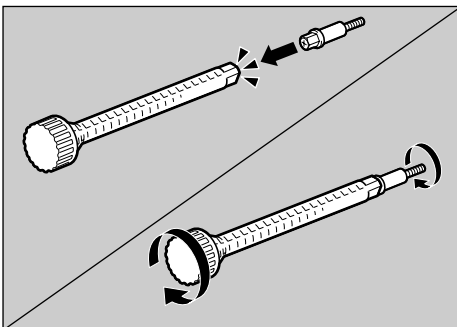
Important

- ❑ Do not push the photoconductor unit forcefully as it may damage the interior of the printer and cause a malfunction.

- 19** Lock the photoconductor unit in the positions indicated in green (▲) by fastening the three screws that you removed in step 7.

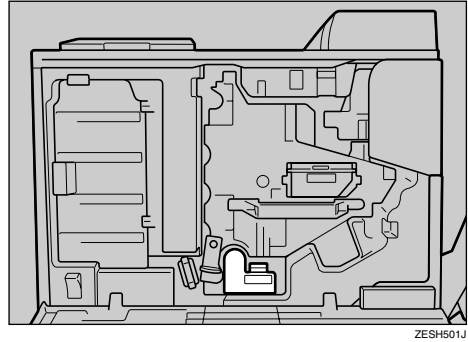
**Note**

- ❑ To prevent screws from falling down, press the screwdriver onto the screw until it clicks into place.

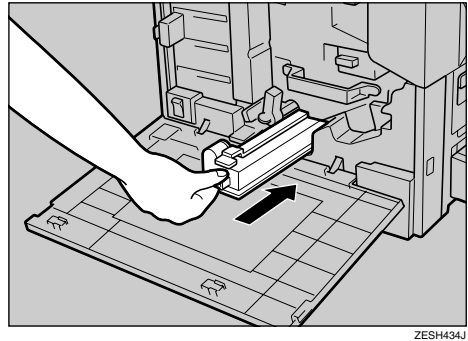


- 20** Set waste toner bottles 1 and 2 that you removed in step 5.

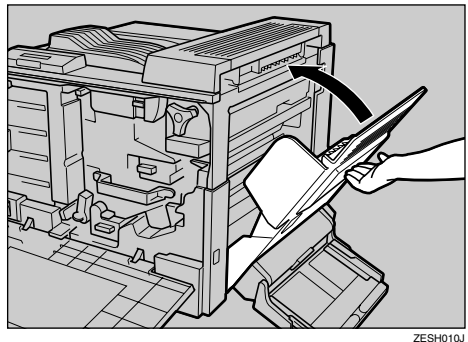
Set waste toner bottle 1 to the place shown in the illustration.



- 1** Set waste toner bottle 1.

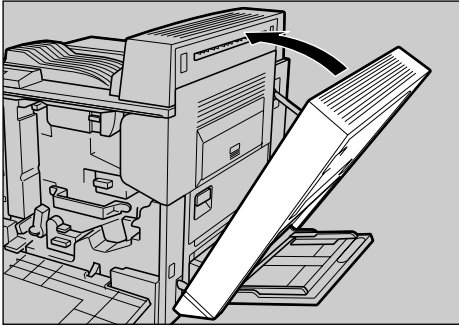


- 21** Close the right cover of the printer.

**Note**

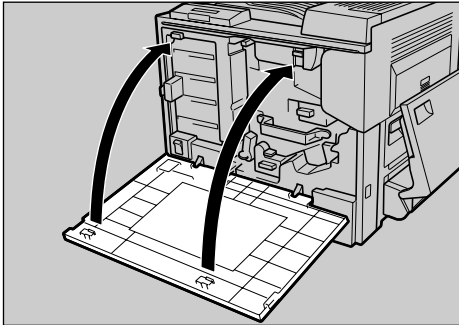
- ❑ Press "PUSH" to close the cover firmly.

22 If the Duplex Unit is installed, close it.



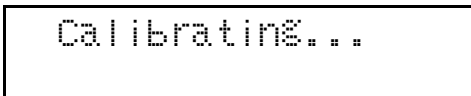
23 Close the Bypass Tray.

24 Close the front cover slowly by pushing the two areas on the left and right.



25 Turn on the power switch.

The following message appears on the panel display. The printer starts calibration. Please wait until it stops.



Important

- Do not turn off the power switch while calibration to avoid a printer malfunction.
- When one of the following messages appears on the panel display, waste toner bottle 1 may not be installed properly. Go back to step **5** to remove waste toner bottle 1, and then go to step **20** to set them properly.



- If the photoconductor unit is not installed properly, reinstall from step **1**. If you cannot install it properly even after reinstallation, contact your sales or service representative.

3. Cleaning and Adjusting the Printer

Cautions to Take When Cleaning

WARNING:

- *Do not remove any covers or screws other than those specified in this manual. Some parts of the machine are at a high voltage and could give you an electric shock. Also, if the machine has laser systems, direct (or indirect) reflected eye contact with the laser beam may cause serious eye damage. When the machine needs to be checked, adjusted, or repaired, contact your service representative.*
- *Do not take apart or attempt any modifications to this machine. There is a risk of fire, electric shock, explosion or loss of sight. If the machine has laser systems, there is a risk of serious eye damage.*

CAUTION:

- *When removing misfed paper, do not touch the fusing unit because it could be very hot.*

Clean the printer periodically to maintain fine printing.

Dry wipe the exterior with a soft cloth. If dry wiping is not enough, wipe with a soft, wet cloth that is wrung out well. If you still cannot remove the stain or grime, use a neutral detergent, and then wipe over with a well-wrung wet cloth, dry wipe, and let it dry.

Important

- To avoid deformation, discoloration, or cracking, do not use volatile chemicals, such as benzine and thinner, or spray insecticide on the printer.
- If there is dust or grime inside the printer, wipe with a clean, dry cloth.

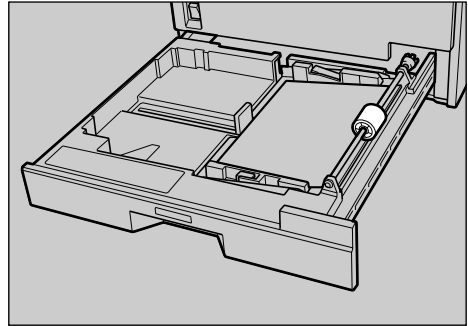
Cleaning the Paper Feed Roller and the Friction Pad

⚠ CAUTION:

- *The inside of the machine becomes very hot. Do not touch the parts with a label indicating "⚠" (means hot surface). Touching "⚠" (means hot surface) could result in a burn.*

Papers other than the plain paper produce more paper dust. Clean the paper feed roller and the friction pad to avoid paper misfeeds.

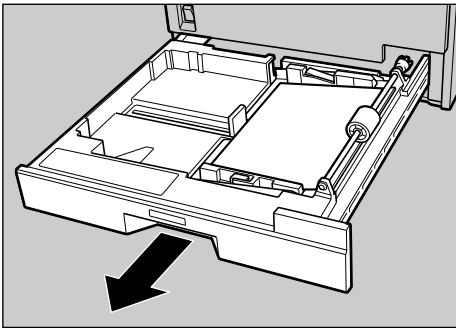
The paper feed roller (for Tray 1) is installed as shown in the illustration.



ZESH437J

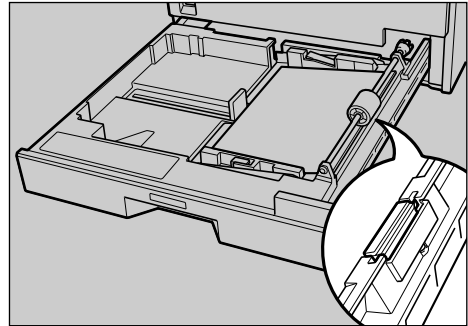
Cleaning the Paper Feed Roller (for Tray 1) and the Friction Pad

- 1** Pull out Tray 1 slowly while lifting it up a little.



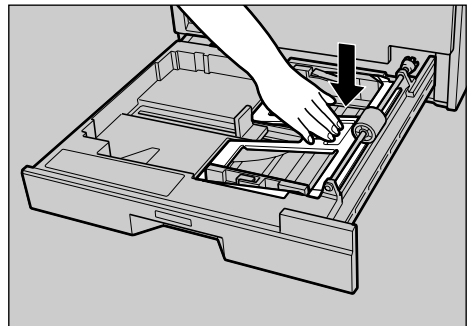
ZESH436J

The friction pad is installed as shown in the illustration.



ZESH550J

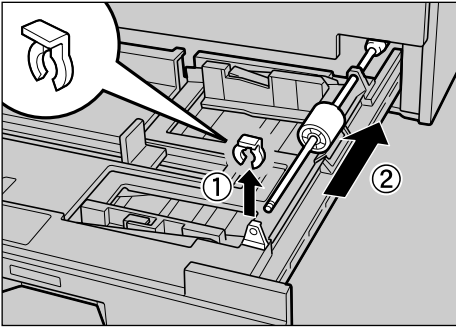
- 2** Lower the base panel by pushing "Push". When paper is loaded in the tray, push down on the paper.



ZESH470J

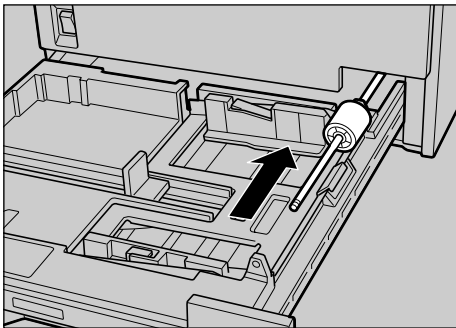
3 When paper is loaded in the tray, remove them.

4 Remove the stopper (①), and then release the bar that is holding the paper feed roller by pushing towards back (②).



ZESH438J

5 Press the bar to the position shown in the illustration.



ZESH444J

6 Wipe the rubber of the paper feed roller and the white part of the friction pad with a well-wrung wet cloth.

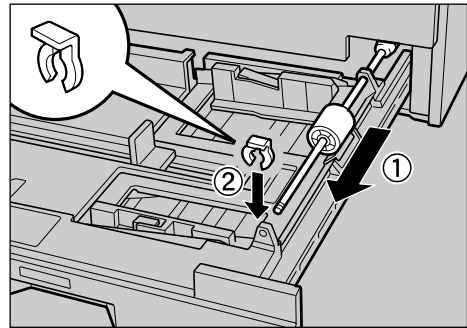
Note

- Wipe the rubber of the paper feed roller with turning the roller to clean the whole rubber.

Important

- Do not use alcohol or detergent. The three paper feed rollers (A), (B) and (C) are installed as shown

7 Set the bar to the tray (①), and then set the stopper (②).



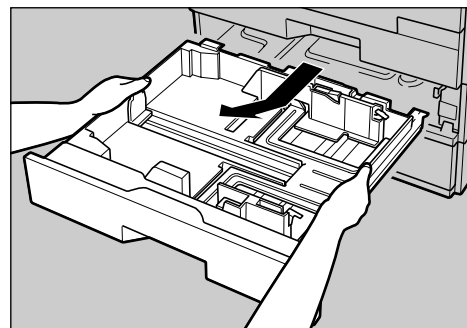
ZESH441J

8 Set the paper on the tray, and then close the tray firmly.

Cleaning the Paper Feed Rollers (for the Optional Paper Feed Unit)

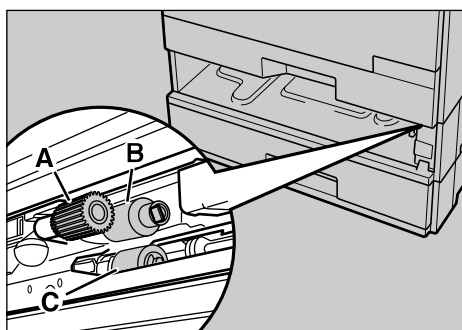
1 Turn off the printer power.

2 Pull out the tray of the Paper Feed Unit slowly while lifting it up a little.



ZESH654J

in the illustration.



3

- 3** Wipe the rubber of the paper feed rollers with a well-wrung wet cloth.

 **Note**

- Wipe with turning the rollers to clean the whole rubber.

 **Important**

- Do not use alcohol or detergent.

- 4** Close the tray of the Paper Feed Unit firmly.

- 5** Turn on the power switch.

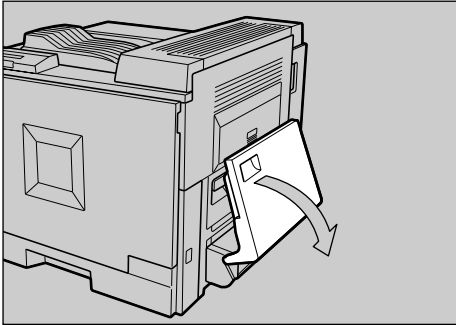
Cleaning the Registration Roller and the Guide Boards

⚠ CAUTION:

- The inside of the machine becomes very hot. Do not touch the parts with a label indicating "⚠" (means hot surface). Touching "⚠" (means hot surface) could result in a burn.

1 Turn off the printer power.

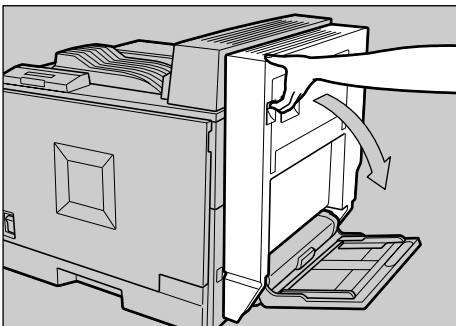
2 Open the Bypass Tray.



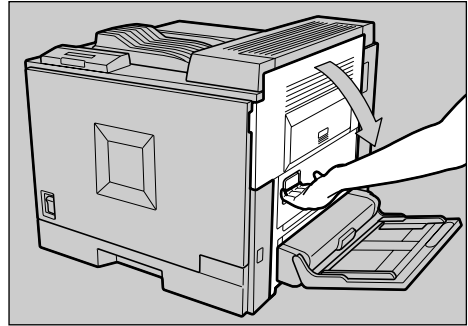
Note

- Remove the paper on the Bypass Tray to prevent them from falling.

3 If the Duplex Unit is installed, open it by pushing the catch upwards.



4 Open the right cover of the printer by pushing up the handle.

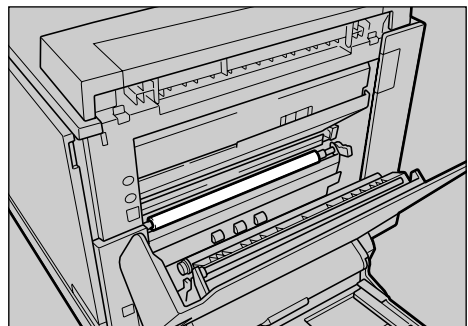


Important

- Do not touch the inside of the printer as it may cause an injury.

5 Wipe the registration roller with a well-wrung wet cloth while turning the roller.

The registration roller is installed as shown in the illustration.

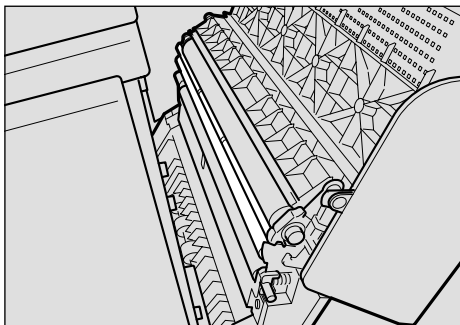


Important

- Do not use alcohol or detergent.

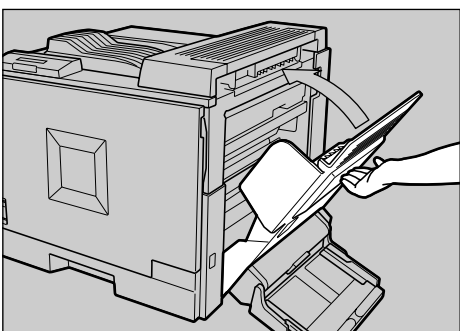
- 6** Wipe the guide boards with a dry cloth.

The guide boards are installed as shown in the illustration.



ZESH803J

- 7** Close the right cover of the printer.

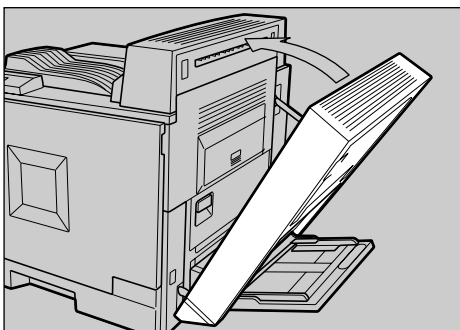


ZESH459J

 **Note**

- Press "PUSH" to close the cover firmly.

- 8** If the Duplex Unit is installed, close it.

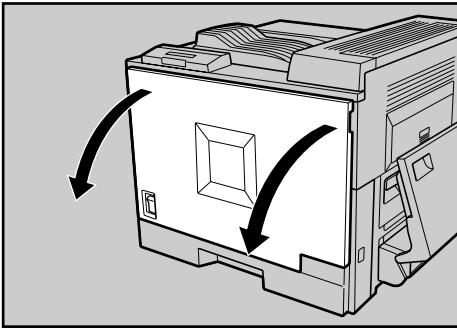


ZESH460J

Cleaning the Dustproof Glass

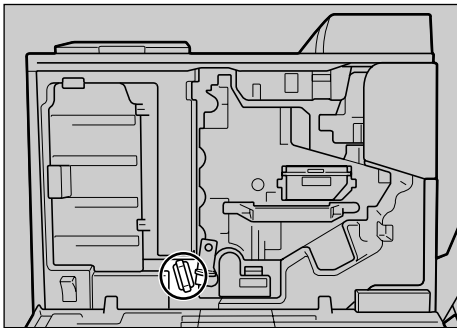
The dustproof glass may require cleaning if white lines appear on the print side of the document.

- 1** Turn off the printer power.
- 2** Open the front cover slowly by pulling down from the two areas on the left and right.



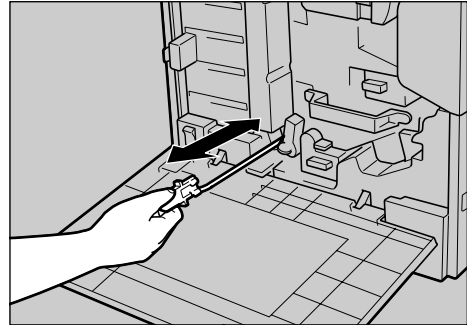
ZESH400J

The cleaning brush for the dustproof glass is installed as shown in the illustration.



ZESP706J

- 3** Slide the cleaning brush in and out slowly 8 to 10 times.

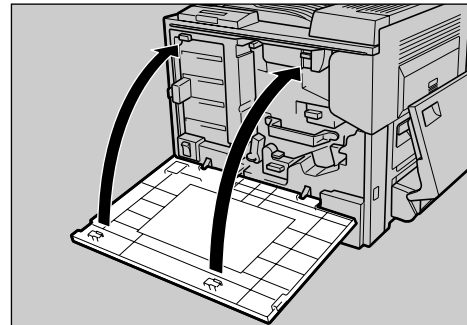


ZESP707J

⚠ Important

- Do not insert the brush roughly, or the printer might be damaged.

- 4** Return the cleaning brush to its original position.
- 5** Close the front cover slowly by pushing the two areas on the left and right.



ZESH406J

- 6** Turn on the power switch.

Adjusting the Image Density

Adjust the image density when the print side of the page is shaded or the print image looks patchy.

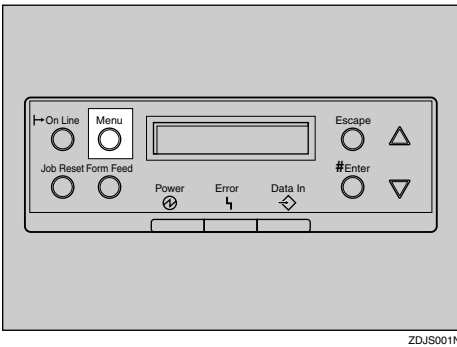
Important

- Extreme settings may create output that appears dirty.
- Image density settings should be made from the application or the printer driver whenever possible.

Note

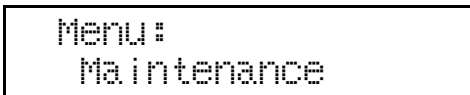
- Changing the image density setting might cause a deterioration of color balance. We recommend that you leave the image density at its factory default setting.

1 Press **[Menu]**.



"Menu" appears on the panel display.

2 Press **[▲]** or **[▼]** to display "Maintenance", and then press **[Enter #]**.



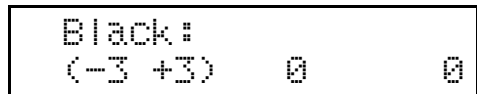
3 Press **[▲]** or **[▼]** to display "Image Density", and then press **[Enter #]**.



4 Press **[▲]** or **[▼]** to select the color you want to adjust, and then press **[Enter #]**.



5 Press **[▲]** or **[▼]** to set the image density value, and then press **[Enter #]**.



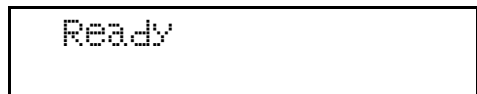
Note

- You can adjust the image density in seven steps from -3 to +3. Increasing the value makes the printouts darker and decreasing the value makes the printouts lighter.
- Pressing **[▲]** or **[▼]** makes the value increase or decrease by one.

To adjust another color, repeat the steps **4** and **5**.

6 Press **[On Line]**.

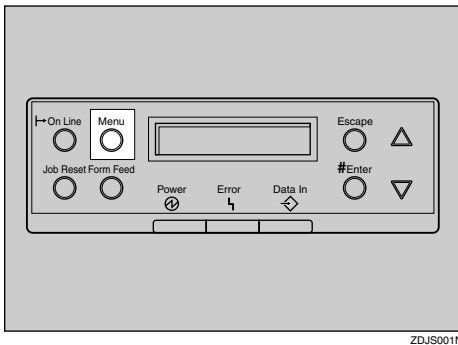
"Ready" appears on the panel display.



Adjusting the Tray Registration

You can adjust the registration of each tray. The vertical adjustment is used for all trays. Normally, you need not update the registration. But when the optional Paper Feed Unit or the Duplex Unit is installed, updating the registration is useful in some cases. The following procedure describes how to adjust the registration of Tray 1. You can use the same procedure to adjust the other tray as well.

- 1 Press **[Menu]**.



ZDJS001N

"Menu" appears on the panel display.

- 2 Press **[▲]** or **[▼]** to display "Maintenance", and then press **[Enter #]**.

```
Menu:
Maintenance
```

- 3 Press **[▲]** or **[▼]** to display "Registration", and then press **[Enter #]**.

```
Maintenance:
Registration
```

- 4 Print the test sheet to preview the settings.

- 1 Confirm that "Prt. Test Sheet" is displayed, and then press **[Enter #]**.

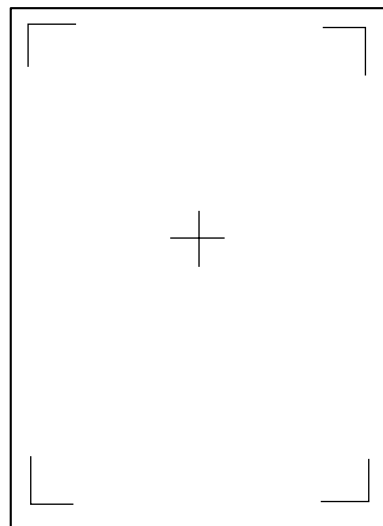
```
Registration:
Prt. Test Sheet
```

- 2 Press **[▲]** or **[▼]** to display the tray to adjust, and then press **[Enter #]**.

```
Prt. Test Sheet:
Tray 1
```

The test sheet is printed shortly, and then the printer returns to the previous menu.

- 5 Confirm the position of the image on the test sheet, and then adjust the registration value.



The following steps show how to adjust the registration value for making the margins to be equal.

- ❶ Press **[Escape]**.
- ❷ Press **[▲]** or **[▼]** to display the "Adjustment", and then press **[Enter #]**.

```
Registration:
Adjustment
```

- ❸ Press **[▲]** or **[▼]** to display the tray to adjust, and then press **[Enter #]**.

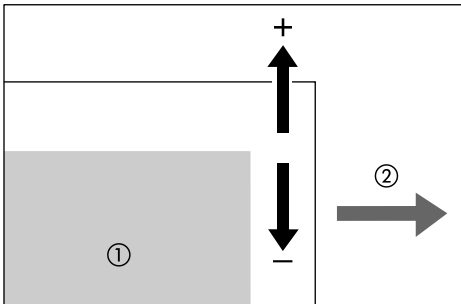
```
Adjustment:
Vert.: Tray 1
```

- ❹ Press **[▲]** or **[▼]** to set the registration value (mm).

```
Vert.: Tray 1:
(-4.0 +4.0) 0
```

 **Note**

- Increase the value to shift the print area to the positive direction, and then decrease to shift to the negative direction.



ZDJX900J

❶ : Printable Area

❷ : Feed Direction

- Pressing **[▲]** or **[▼]** makes the value increase or decrease by 0.1 mm step.

- ❺ Press **[Enter #]**.

- ❻ Press **[Escape]**.

The current setting is displayed for 2 seconds, and then the printer returns to the previous menu.

- ❼ Print the test sheet to check the settings you have made.

- ❼ Press **[On Line]**.

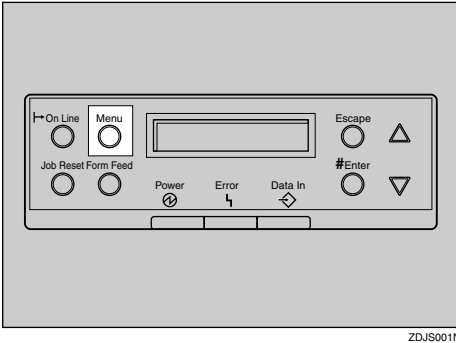
"Ready" appears on the panel display.

```
Ready
```

Cleaning and Adjusting the Internal Devices

Clean and adjust the internal devices of the printer in relation to the process controller.

1 Press [Menu].



"Menu" appears on the panel display.

2 Press [▲] or [▼] to display "Maintenance", and then press [Enter #].

```
Menu:
Maintenance
```

3 Press [▲] or [▼] to display "Clean/Adjust", and then press [Enter #].

```
Maintenance:
Clean/Adjust
```

The following message appears to confirm the setting.

```
Clean/Adjust
Press # to Start
```

4 Press [Enter #].

Cleaning and adjustment will start.

```
Adjusting...
```

In about two seconds, the display returns to the menu.

5 Press [On Line].

"Ready" appears on the panel display.

```
Ready
```


Consumables

CAUTION:

- *Our products are engineered to meet the highest standards of quality and functionality. When purchasing expendable supplies, we recommend using only those specified by an authorized dealer.*

◆ **Toner cartridge**

Toner cartridge	Average printable number of pages per cartridge ^{*1} ^{*2}
Cyan	10,000 pages
Magenta	10,000 pages
Yellow	10,000 pages
Black	18,000 pages

^{*1} A4/letter 5% test chart

^{*2} The average number of printable pages expected from the toner cartridges that come with the printer are as follows:

- Black toner cartridge : about 4,500 pages (A4/Letter 5% test chart)
- Cyan, magenta and yellow toner cartridges : about 3,000 pages for each cartridge (A4/Letter 5% test chart).

Note

- The consumption of toner depends on the humidity, temperature and printing factors such as image size, density, number of prints, paper size, and paper type. Moreover, to preserve print quality, this machine automatically performs periodic maintenance using the toner.

◆ **Staples**

	Number of staples
Staples equipped with the printer	3,000 staples
Refill staples with cartridge	3,000 staples × 4 packs

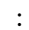
❖ Other consumables

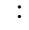
Note

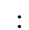
- ❑ The actual life of consumables varies depending on various conditions. Because of this, the consumables may require replacement earlier than indicated.

Name	Average printable number of pages ^{*1}
Waste Toner Bottle 1 Type 5000	50,000 ^{*2} , 20,000 ^{*3} , 12,500 ^{*4}

^{*1} : The actual printable number of pages varies depending on the image volume and density, number of pages to be printed at a time, paper type and paper size used, and environmental conditions such as temperature and humidity.


^{*2} : When continuously printing a 5% chart on A4/letter  in black and white


^{*3} : When continuously printing a 5% chart on A4/letter  in an equal ratio of color and black and white

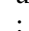
^{*4} : When continuously printing a 5% chart on A4/letter  in color

Name	Average printable number of pages ^{*1}
Waste Toner Bottle 2 Type 5000	120,000 ^{*2} , 48,000 ^{*3} , 30,000 ^{*4}

^{*1} : The actual printable number of pages varies depending on the image volume and density, number of pages to be printed at a time, paper type and paper size used, and environmental conditions such as temperature and humidity.

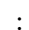
^{*2} : When continuously printing a 5% chart on A4/letter  in black and white

^{*3} : When continuously printing a 5% chart on A4/letter  in an equal ratio of color and black and white

^{*4} : When continuously printing a 5% chart on A4/letter  in color


^{*5} : Waste Toner Bottle 2 is attached to Photo Conductor Unit Type 5000.

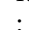
Name	Average printable number of pages ^{*1}
Fuser Oil Type 5000 ^{*2}	30,000

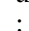
^{*1} : When continuously printing a 5% chart on A4/letter  with each color
The actual printable number of pages varies depending on the image volume and density, number of pages to be printed at a time, paper type and paper size used, and environmental conditions such as temperature and humidity.

^{*2} : In order to prevent the performance degradation of fuser cleaning, Fuser Oil may require replacement even if it has fuser oil left inside.

Name	Average printable number of pages ^{*1}
Development Unit Type 5000 Color ^{*4}	60,000 ^{*2}
Development Unit Type 5000 Black ^{*4}	120,000 ^{*3}


^{*1} : When continuously printing a 5% chart on A4/letter  with each color
The actual printable number of pages varies depending on the image volume and density, number of pages to be printed at a time, paper type and paper size used, and environmental conditions such as temperature and humidity. The print quality may decline towards the end.

^{*2} : When continuously printing a 5% chart on A4/letter  in an equal ratio of color and black and white

^{*3} : When continuously printing a 5% chart on A4/letter 

^{*4} Toner cartridges that are set in the development unit contain the same amount of toner as the toner cartridges that come with the printer.

Name	Average printable number of pages ^{*1}
Fusing Unit Type 5000 ^{*2}	120,000


^{*1} : When continuously printing a 5% chart on A4/letter  with each color
The actual printable number of pages varies depending on the image volume and density, number of pages to be printed at a time, paper type and paper size used, and environmental conditions such as temperature and humidity. The print quality and paper feed performance may decline towards the end.


^{*2} : Includes a paper feed roller and a friction pad


Name	Average printable number of pages ^{*1}
Photo Conductor Unit Type 5000 ^{*2}	120,000 ^{*3} , 48,000 ^{*4} , 30,000 ^{*5}

^{*1} : The actual printable number of pages varies depending on the image volume and density, number of pages to be printed at a time, paper type and paper size used, and environmental conditions such as temperature and humidity. The print quality may decline before the need for replacement is indicated.

^{*2} : Includes a charger and dustproof filters (A) and (B)

^{*3} : When continuously printing a 5% chart on A4/letter  in black and white

^{*4} : When continuously printing a 5% chart on A4/letter  in an equal ratio of color and black and white

^{*5} : When continuously printing a 5% chart on A4/letter  in color

Name	Average printable number of pages ^{*1}
Printer Maintenance Kit Type 3800H (paper feed rollers for the optional Paper Feed Unit)	150,000

^{*1} : The actual printable number of pages varies depending on the image volume and density, number of pages to be printed at a time, paper type and paper size used, and environmental conditions such as temperature and humidity. The paper feed performance may decline before the need for replacement is indicated.

Moving and Transporting the Printer

 **CAUTION:**

- *When moving the machine, each person should hold the handles that are located on opposite sides, and then lift it slowly. Lifting it carelessly or dropping it may cause an injury.*
- *When you move the printer, remember to unplug the power cord from the wall outlet to avoid a fire or an electric shock.*
- *When you pull out the plug from the socket, grip the plug, not the cord, to avoid damaging the cord and causing a fire or an electric shock.*

 **Note**

- The printer weighs approximately 60 kg (130 lb.).
- Repack the printer in its original packing materials for transporting.

 **Important**

- Be sure to disconnect all cables from the printer before transporting it.
- The printer is a precision piece of machinery. Take care to avoid damage during shipment.

Moving the Printer

Moving the printer in a short distance

1 Be sure to check the following points:

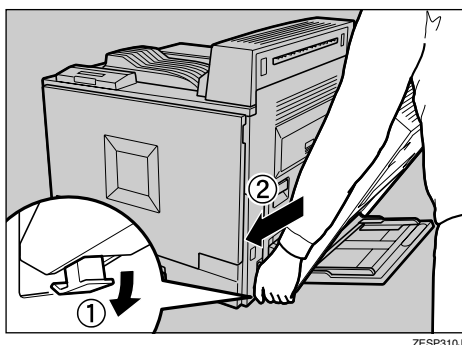
- The power switch is turned off.
- The power cable is unplugged from the wall outlet.
- The interface cable is unplugged from the printer.

2 If the external options are installed, remove them.

See the Option Setup Guide and follow the steps backwards for removing options. For removing the Duplex Unit, Finisher and 4-bin Mailbox, follow the steps below.

1 Removing the Duplex Unit

Remove the two stoppers to release the supporting bar. Hold the unit with both hands and move it towards the left (2) while pressing down the lever (1).

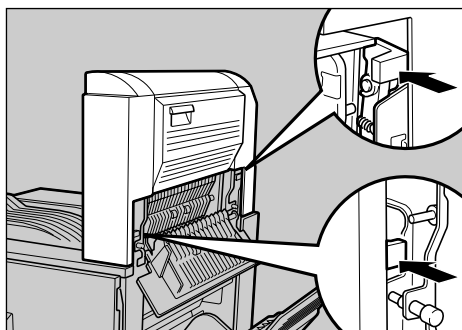


ZESP310J

2 Removing the Finisher

Open the Bypass Tray and the Duplex Unit. Then open the right covers of the printer and the Interchange Unit.

Remove the three screws that are fastening the printer and the Finisher. Press the two levers shown in the illustration to release the lock.



ZESP313J

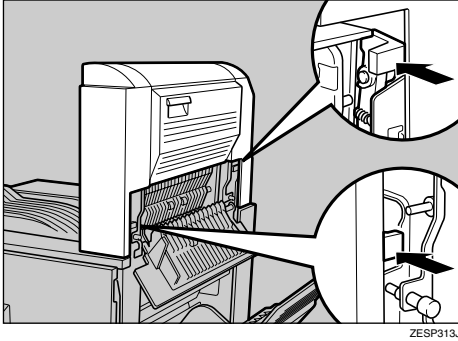
Hold the Finisher with both hands, and then slowly pull it out of the printer.

3 Removing the 4-bin Mailbox

Remove the four paper output trays. Open the Bypass Tray and the Duplex Unit. Then open the right covers of the printer and the Interchange Unit.

Remove the three screws that are fastening the printer and the 4-bin Mailbox.

Press the two levers shown in the illustration to release the lock.



ZESP313J

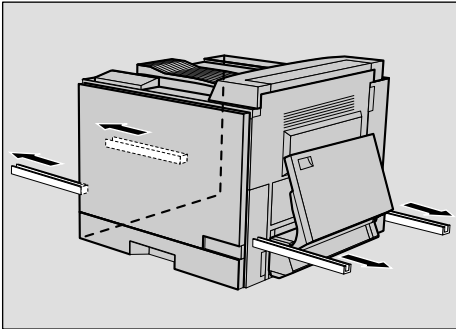
Hold the 4-bin Mailbox with both hands, and then slowly pull it out of the printer.

Important

- Remove all the cables beforehand.
- Be careful not to damage the printer while moving it.

3 Be sure to close the Bypass Tray and the front cover.

4 Pull out the handles from the sides of the printer.



ZESP006J

Note

- Pull out the handles all the way until they stop.

5 Lift the printer with two people by holding the handles, and then move it horizontally to the place where you want to install it.

6 If you removed options in step **2**, reinstall them.

 **Note**

- See the Option Setup Guide for installing options.

 **Important**

- Be sure to move the printer horizontally. To prevent toner from scattering, move the printer slowly.
- If the optional Paper Feed Unit is installed, remove it from the printer, and then move them separately.

INDEX

A

Adjusting the Image Density, 60
Adjusting the Tray Registration, 61
Appendix, 65

B

Bypass Tray, 10
Bypass Tray Extension, 10

C

Caution, 2
Cleaning and Adjusting the Internal Devices, 63
Cleaning the Dustproof Glass, 59
Cleaning the Paper Feed Roller and the Friction Pad, 54
Cleaning the Registration Roller and the Guide Boards, 57
Clearing and Adjusting the Printer, 53
Consumables, 65
Controller Board, 11
Control Panel, 10, 13

D

Data In Indicator, 13
Development Unit, 12, 28
Dustproof Filter, 11, 44

E

Energy Star, 6
Enter # Key, 13
Error Indicator, 13
Escape Key, 13
Ethernet Port, 11

F

Form Feed Key, 13
Friction Pad, 34, 54
Front Cover, 10
Fuser Oil, 22
Fuser Oil Unit, 12
Fusing Unit, 12, 34

G

Guide to the Printer
Control Panel, 13
Exterior -Front View, 10
Exterior -Rear View, 11
Inside, 12

I

Interchange Unit Port, 11

J

Job Reset Key, 13

L

Left Cover, 11

M

Menu Key, 13
Moving the Printer, 69

O

On Line Key, 13
Output Tray, 10
Ozoneproof Filter, 11

P

Panel Display, 13
Paper Feed Roller, 34, 54
Paper Feed Rollers, 42
Parallel Port, 11
Photo Conductor Unit, 44
Photoconductor Unit, 12
Power Indicator, 13
Power Port, 11
Power Switch, 10
Printer Maintenance Kit, 42

R

Replacing Consumables and Maintenance
Kit, 15
Right Cover, 10

S

Staples, 65

T

Toner Cartridge, 12, 15, 65
Tray 1, 10

U

Upper Right Cover, 10
USB Port, 11

V

Ventilator, 11
Ventilator and Dustproof Filter (A), 11
Ventilator and Dustproof Filter (B), 11

W

Warning, 2
Waste Toner Bottle, 18, 20
Waste Toner Bottle 1, 12
Waste Toner Bottle 2, 12

MEMO

Note to users in the United States of America

Notice:

This equipment has been tested and found to comply with the limits for a Class B digital device, pursuant to Part 15 of the FCC Rules. These limits are designed to provide reasonable protection against harmful interference in a residential installation. This equipment generates, uses and can radiate radio frequency energy and, if not installed and used in accordance with the instructions, may cause harmful interference to radio communications.

However, there is no guarantee that interference will not occur in a particular installation. If this equipment does cause harmful interference to radio or television reception, which can be determined by turning the equipment off and on, the user is encouraged to try to correct the interference by one more of the following measures:

Reorient or relocate the receiving antenna.

Increase the separation between the equipment and receiver.

Connect the equipment into an outlet on a circuit different from that to which the receiver is connected.

Consult the dealer or an experienced radio/TV technician for help.

Caution

Changes or modifications not expressly approved by the party responsible for compliance could void the user's authority to operate the equipment.

Caution (in case of 100BaseTX environment):

Properly shielded cables must be used for connections to host computer (and/or peripheral) in order to meet FCC emission limits.

Network interface cable with ferrite core must be used for RF interference suppression.

Declaration of Conformity

Product Name: Laser Printer

Model Number: CL5000/CLP1036/C7010

Responsible party: Ricoh Corporation

Address: 5 Dedrick Place, West Caldwell, NJ 07006

Telephone number: 973-882-2000

This device complies with part 15 of FCC Rules.

Operation is subject to the following two conditions:

1. This device may not cause harmful interference, and
2. this device must accept any interference received, including interference that may cause undesired operation.

Properly shielded cables must be used for connections to host computer (and/or peripheral) in order to meet FCC emission limits.

Network interface cable with ferrite core must be used for RF interference suppression.

Note to users in Canada

Note:

This Class B digital apparatus complies with Canadian ICES-003.

802.11b Interface Unit TypeA(R-WL11):

This device complies with RSS 210 of Industry Canada.

To prevent radio interference to the licensed service, this device must be operated indoors only and should be kept away from windows to provide maximum shielding.

Remarque concernant les utilisateurs au Canada

Avertissement:

Cet appareil numérique de la classe B est conforme à la norme NMB-003 du Canada.

802.11b Interface Unit TypeA(R-WL11):

Pour empêcher que cet appareil cause du brouillage au service faisant l'objet d'une licence, il doit être utilisé à l'intérieur et devrait être placé loin des fenêtres afin de fournir un écran de blindage maximal. Si le matériel (ou son antenne d'émission) est installé à l'extérieur, il doit faire l'objet d'une licence.

In accordance with IEC 60417, this machine uses the following symbols for the main power switch:

I means POWER ON.

O means POWER OFF.

